

# NetWay16G

## 16-Port Managed PoE Midspan Injector



Altronix NetWay16G is a 16-port networked Managed Midspan in a 1U rack enclosure. It provides PoE/PoE+ (up to 30W power per port), and passes data at 10/100/1000 Mbps at distances up to 100m. Features also include an integral battery charger for applications requiring backup and embedded LINQ™ Technology to monitor, control, and report power and diagnostics from anywhere.

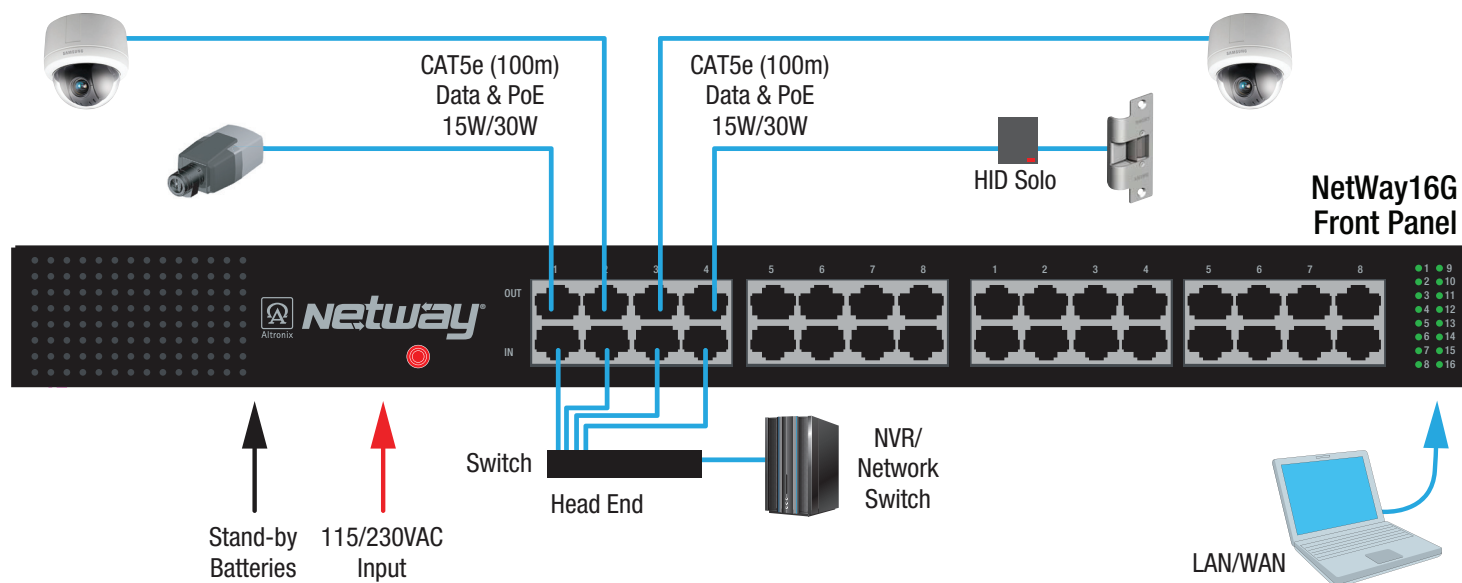


NetWay16G

### Key Features

- IEEE 802.3af (15W) and IEEE 802.3at (30W) compliant
- Sixteen (16) ports for cameras/edge devices over ethernet
- Speed: 10/100/1000 Mbps
- 30W maximum power per port
- Port status LEDs
- Auto detection and protection of legacy non-PoE cameras/devices
- Real-time power diagnostics with e-mail and Windows Dashboard Alert notifications
- Local and/or remote access to critical information via LAN/WAN
- Event Log tracks history
- Built-in IP networked management allows for remote camera reset and monitoring
- Built-in battery charger
- UL Listed in the U.S. and Canada
- CE European Conformity
- Lifetime Warranty

### Typical Application



### Lifetime Warranty

# NetWay16G

16-Port Managed PoE Midspan Injector



## Specifications

### Input

115VAC, 60Hz, 4.5A or 230VAC, 50Hz, 2.5A

### Power

Unit provides PoE / PoE+  
30W full power per port  
Total power: 480W

### Ethernet

Connectivity: RJ45, auto-crossover  
Wire type: 4-pair CAT5e or better structured cable  
Distance: up to 100m  
Speed: 10/100/1000 BaseT, half/full duplex, auto negotiation

### Indicators (LED)

Yellow and Green LED (by RJ45 jack):  
IP Link status, 10/100/1000 Base-T/active  
Green LED Port status  
Red LED Power

### LINQ Technology:

Remote network management allows for camera/device reset and monitoring  
Provides local and/or remote access to critical information via LAN/WAN  
Email and Windows Dashboard Alert notifications report real-time diagnostics  
Event log tracks history

### Battery Charging

Type Sealed lead acid or gel type  
Failover Upon AC loss, instantaneous  
Batteries are sold separately. Separate enclosure is required

### Agency Listings

UL/cUL UL60950-1  
(Information Technology Equipment)  
CE European Conformity

### Physical and Environmental

#### Dimensions (H x W x D)

Enclosure:  
Modular 1U standard EIA 19" rack mount chassis  
1.625" x 19.125" x 8.5" (41.3mm x 486mm x 216mm)  
Shipping:  
20.25" x 12.5" x 5.5" (514.4mm x 317.5mm x 139.7mm)

#### Weight (approx.)

Product: 7.2 lb. (3.27 kg)  
Shipping: 8.7 lb. (3.9 kg)

#### Temperature

Operating: -20°C to 50°C (-4°F to 122°F)  
Storage: -20°C to 70°C (-4°F to 158°F)

Relative Humidity 85% +/- 5%

Operating Altitude: Up to 2,000m

BTU/Hr (approx.) 245 BTU/Hr.

## Accessories (order separately)

### Repeaters:



NetWayXT

**NetWayXT**  
**PoE Repeater Module**  
Extends data (video) for 100m



NetWayXTX

**NetWayXTX**  
**PoE+ Repeater Module**  
Extends data (video) for 100m

### Battery Backup:



RE2

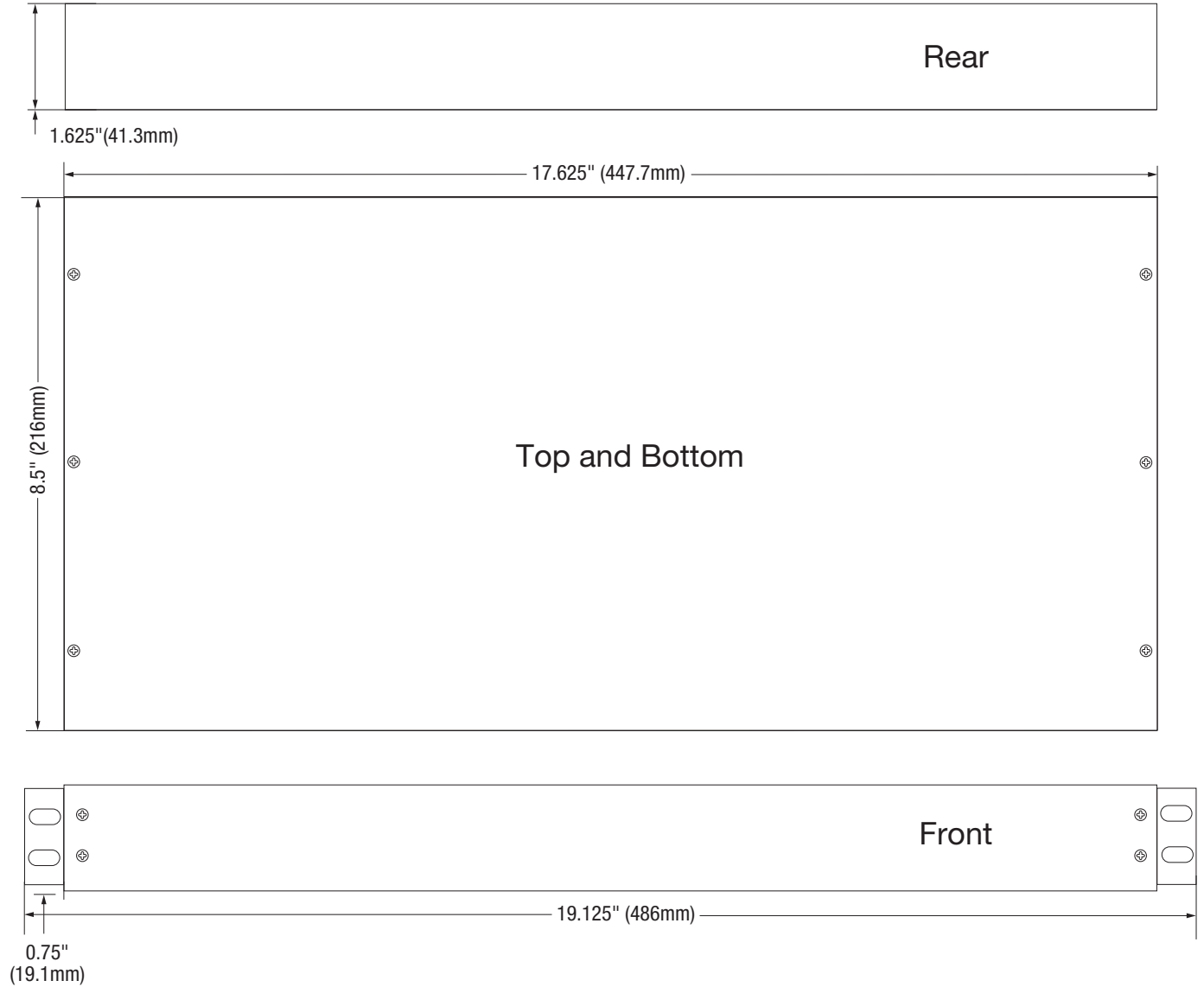
**RE2 - Rack Mount Battery Enclosure**  
Accommodates up to four (4) 12VDC/7AH batteries

### Lifetime Warranty

### Dimensions and Drawing

Enclosure Dimensions (H x W x D approximate)

1.625" x 19.125" x 8.5" (41.3mm x 486mm x 216mm)



### Lifetime Warranty

Altronix Corporation | 140 58th St | Brooklyn, NY 11220 USA

phone: +1 718.567.8181 | fax: +1 718.567.9056 | email: info@altronix.com | www.altronix.com