

NetWay4ELWPX

4-port PoE+ Outdoor Hardened Switch with Optimized Lithium Iron Phosphate Battery Charger



Altronix NetWay4ELWPX PoE+ Outdoor Hardened Switch provides one (1) 1Gb SFP (Fiber) port and four (4) PoE+ (30W) ports passing data for PoE/PoE+ compliant devices. Cameras/ edge devices may be located up to 100m from the unit. Embedded LINQ Technology allows you to monitor, control, and report power and diagnostics from anywhere. This unit is designed to support a single 12V LiFePO₄ (Lithium Iron Phosphate) battery for high storage and charge/discharge cycle life reliability.

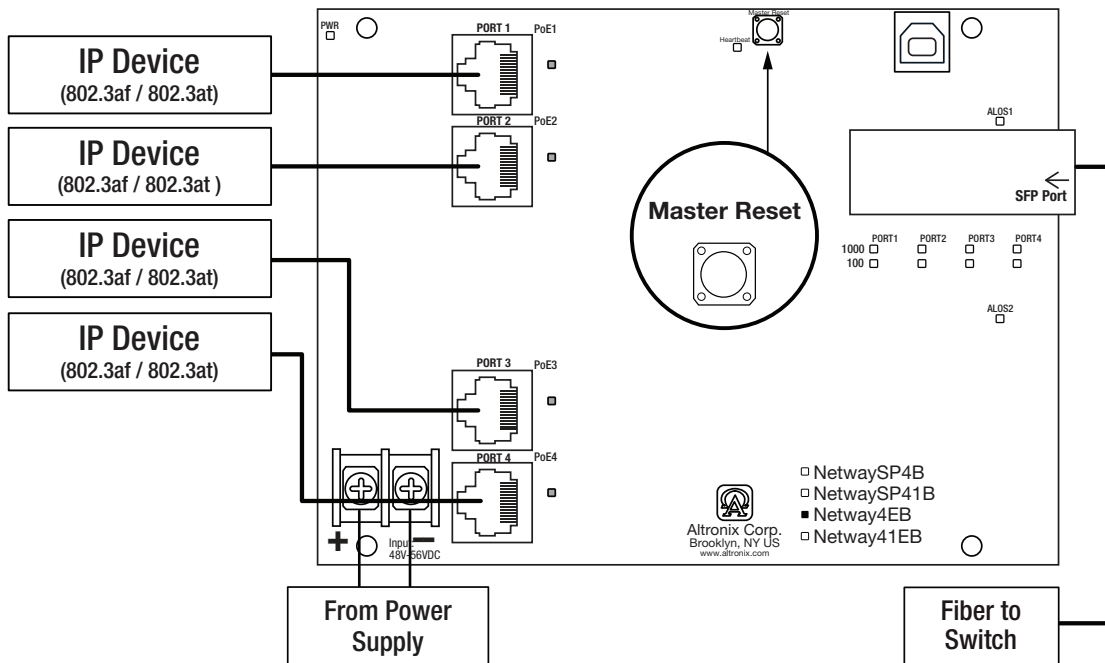


NetWay4ELWPX

Key Features

- One (1) Gigabit SFP port
- 75W total power
- IEEE 802.3af (15W), IEEE 802.3at (30W) compliant
- PoE activity LED indicators
- Built-in charger for 12V LiFePO₄ (Lithium Iron Phosphate) battery
- Automatic switch over to stand-by battery when AC fails
- NEMA4/4X, IP66 Rated enclosure for outdoor use
- Enclosure accommodates one (1) LiFePO₄ (Lithium Iron Phosphate) battery
- CE European Conformity
- Lifetime Warranty

Typical Application



Lifetime Warranty



NetWay4ELWPX

4-port PoE+ Outdoor Hardened Switch with
Optimized Lithium Iron Phosphate Battery Charger



Specifications

4-port PoE+ Hardened Switch (NetWay4EB):

Input

Voltage 56VDC from POE60

Power Output

Maximum Power Four (4) 10/100/1000 Mbps PoE/PoE+ (up to 30W) ports IEEE 802.3at (30W) and IEEE 802.3af (15W) compliant 75W total power Integral surge protection

Fiber Port: One (1) Gigabit SFP port

Ethernet Ports:

Four (4) 10/100/1000 Mbps ports Connectivity: RJ45, auto-crossover Wire type: 4-pair CAT5 or better structured cable Distance: up to 100m Speed: 10/100/1000 Mbps, half/full duplex, auto negotiation

LINQ Technology:

Remote network management allows for camera/device reset and monitoring Provides local and/or remote access to critical information via LAN/WAN Email and Windows Dashboard Alert notifications report real-time diagnostics Event log tracks history

Indicators (LED)

Individual PoE On LEDs for each port Individual IP Link status, 10/100Base-T/active LEDs for each port ALOS LED indicates fiber connection for SFP port Heartbeat LED indicates proper operation of the unit

VLAN:

Multiple management VLAN assignment 802.1Q Tagged VLAN Up to 10 VLAN groups. ID Range 2-4095

Power Supply/Charger (POE60):

Input

Voltage 115VAC, 60Hz, 2.5A or 230VAC, 50/60Hz, 1.3A Input Fuse 7.5A/250V

Output

Voltage 56VDC/75W Current 1.3A continuous supply current Maximum Power 75W total power Integral surge protection

Battery Charging

Type 12V LiFePO₄ (lithium iron phosphate) Failover Upon AC loss, instantaneous Charging Circuit 12VDC, 0.75A Batteries are sold separately

NetWay4ELWPX:

Agency Listings

CE European Conformity

Physical and Environmental

Dimensions (H x W x D)

Enclosure: 17.53" x 15.3" x 6.67" (445.3mm x 388.6mm x 169.4mm) Shipping: 21.375" x 14.5" x 9.5" (542.9mm x 374.7mm x 241.3mm)

NEMA 4/4X, IP66-11 Rated enclosure for outdoor use

Accommodates one (1) 12VDC/LiFePO₄ (Lithium Iron Phosphate) battery

For outdoor battery backup, battery enclosure must have sufficient ventilation. Use Altronix Vent2 kit

Weight (approx.)

Product: 15 lb. (6.8 kg) Shipping: 17.5 lb. (7.9 kg)

Temperature

Operating: 60W: -40°C to 75°C (-40°F to 167°F) 75W: -40°C to 70°C (-40°F to 158°F) Storage: -40°C to 85°C (-40°F to 185°F)

Relative Humidity 85% +/- 5%

BTU/Hr (approx.) 46 BTU/Hr.

Operating Altitude: -304.8 to 2,000m

Lifetime Warranty

Altronix Corporation | 140 58th St | Brooklyn, NY 11220 USA

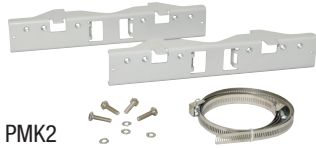
phone: +1 718.567.8181 | fax: +1 718.567.9056 | email: info@altronix.com | www.altronix.com

NetWay4ELWPX

4-port PoE+ Outdoor Hardened Switch with
Optimized Lithium Iron Phosphate Battery Charger



Accessories (order separately)



PMK2

PMK2 - Pole Mount Kit

PMK2 pole mount kit is designed to simplify installation of outdoor units. It accommodates 2" - 8" (diameter) poles.



SFP Modules - Hot Pluggable Transceivers

P1MM Multi-Mode SFP Module for distances up to 550m
P1SM10 Single-Mode SFP Module for distances up to 10km
P1AB2K Single Strand SFP Module for distances up to 2km
P1GCE Copper SFP Module for distances up to 100m



NetWaySP1A

NetWaySP1A

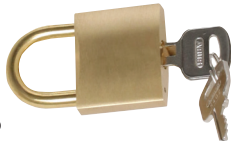
Ethernet over Fiber Media Converter/Repeater for Applications Requiring an Additional SFP Port
NetWaySP1A PoE powered media converter/repeater converts 10/100/1000 Mbps to Fiber (1000Base-X/SX/LX).



Vent2

Vent2 - Air Vents For NEMA4/4X Rated Enclosures

Altronix Vent2 air vents ensure efficient air circulation and prevent water condensation in NEMA4/4X Rated Enclosures. Pair of air vents must be mounted per enclosure.



Lock1WP

LOCK1WP - Pad Lock for Altronix Outdoor Enclosures

Altronix Lock1WP is a pad lock to secure the latches on Altronix outdoor enclosures. Includes a single pad lock and two (2) keys.



WG1

WG1 - NEMA Rated Wire Gland Inlet

Altronix WG1 facilitates wiring for all Altronix outdoor enclosures.



BTL125

BTL125 - 12VDC/4.5AH LiFePO₄ Battery

Usable with all Altronix Spectrum fiber optic equipment with Optimized Lithium Iron Phosphate Battery Charger.

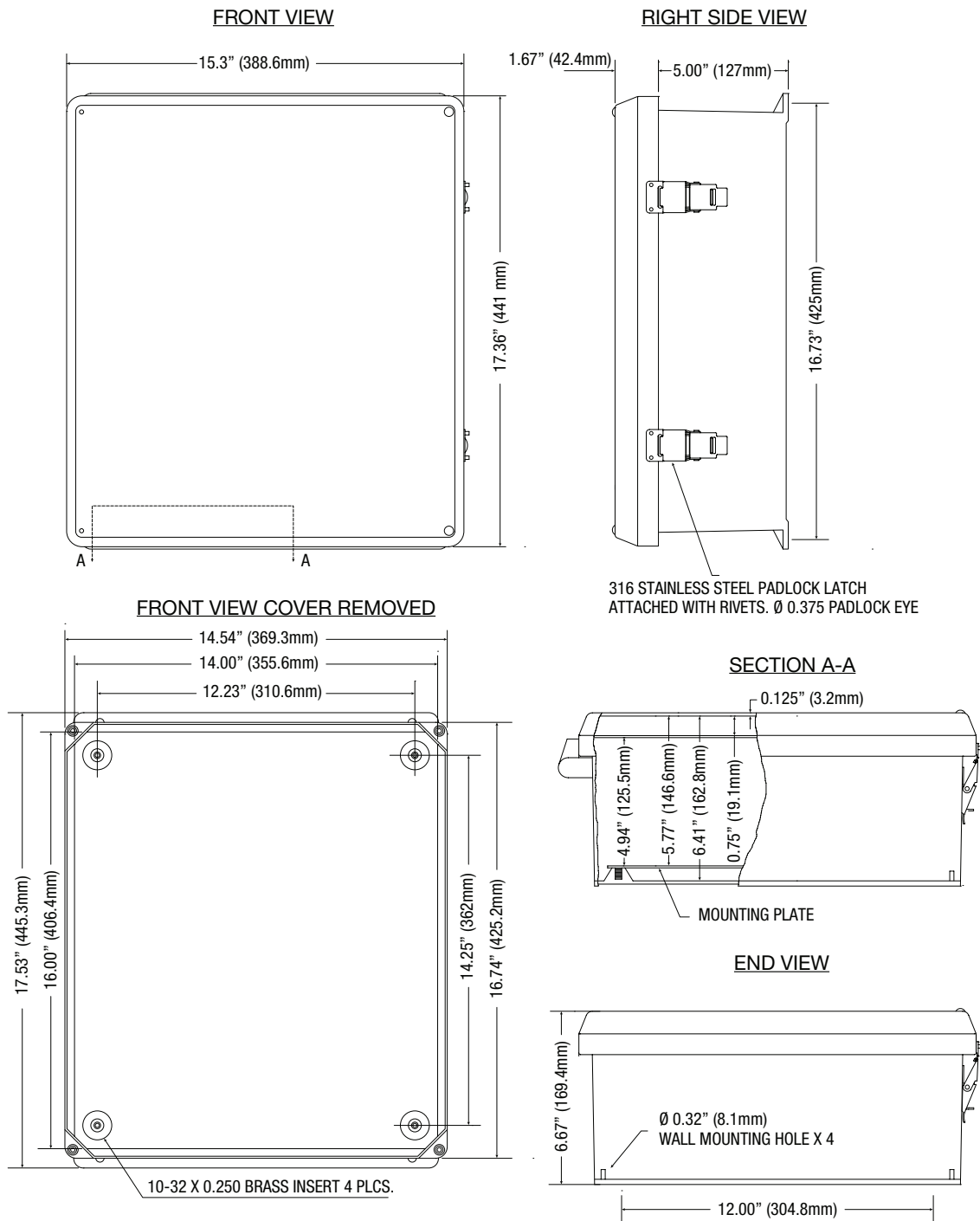
Lifetime Warranty

NetWay4ELWPX

4-port PoE+ Outdoor Hardened Switch with
Optimized Lithium Iron Phosphate Battery Charger

Dimensions and Drawing

Dimensions (H x W x D approximate)
17.53" x 15.3" x 6.67" (445.3mm x 388.6mm x 169.4mm)



Lifetime Warranty