

# NetWay5BTWPN

5-port Hardened 802.3bt 4PPoE Switch



Altronix NetWay5BTWPN hardened 4PPoE switch provides a network data uplink and four (4) IEEE802.3af/3at/3bt PoE ports rated at 90W each. It can power IP devices, such as PoE access controllers and cameras. Other applications may include integrating network door access systems with video surveillance.

For managed switch see model NetWay5BTQWPN.



NetWay5BTWPN

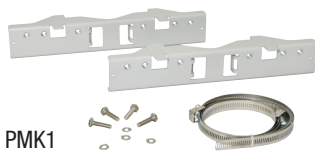
## Key Features

- Four (4) IEEE802.3af/3at/3bt PoE ports rated at 90W each
- IEEE802.3af/3at/3bt compliant
- PoE activity LED indicators
- NEMA4/4X, IP66 Rated enclosure for outdoor use
- CE European Conformity
- Lifetime Warranty

## Similar products

<b>NetWay5BTWPIX</b>	Outdoor 5-port PoE+ Hardened Switch in NEMA 4/4X, IP66-11 enclosure which accommodates stand-by batteries
<b>NetWay5BTWP</b>	Outdoor 5-port PoE+ Hardened Switch in NEMA 4/4X, IP66-11 enclosure
<b>NetWay5BTPL</b>	5-port PoE+ Hardened Switch on a backplane
<b>NetWay5BTX</b>	Indoor 5-port Hardened 802.3bt 4PPoE Switch in NEMA 1 Rated indoor enclosure
<b>NetWay5BT</b>	5-port Hardened 802.3bt 4PPoE Switch (board only)

## Accessories (order separately)



### PMK1 - Pole Mount Kit

PMK1 pole mount kit is designed to simplify installation of outdoor units. It accommodates 2" - 8" (diameter) poles.

### Lifetime Warranty

### Specifications

**Input Power** 48-56V UL Listed ITE power supply

#### Power Output

**Maximum Power** Four (4) IEEE802.3af/3at/3bt PoE ports rated at 90W each  
Integral surge protection

**Uplink Port** Single data port

#### Ethernet Ports

Five (5) 10/100/1000 Mbps ports  
Connectivity: RJ45, auto-crossover  
Wire type: 4-pair CAT5e or higher structured cable  
Distance: up to 100m  
Speed: 10/100/1000 Mbps, half/full duplex, auto negotiation

#### Indicators (LED)

Individual PoE On LEDs for each port  
Individual IP Link status, 10/100Base-T/active LEDs for each port

### Agency Listings

CE European Conformity

### Physical and Environmental

#### Dimensions (L x W x H)

Enclosure:  
9.5" x 7.32" x 4.92" (236.7mm x 185.9mm x 125mm)

Shipping:  
13" x 10" x 7" (330.2mm x 254mm x 177.8mm)

#### Weight (approx.)

Product: 2.2 lb. (1.01 kg)  
Shipping: 3.2 lb. (1.45 kg)

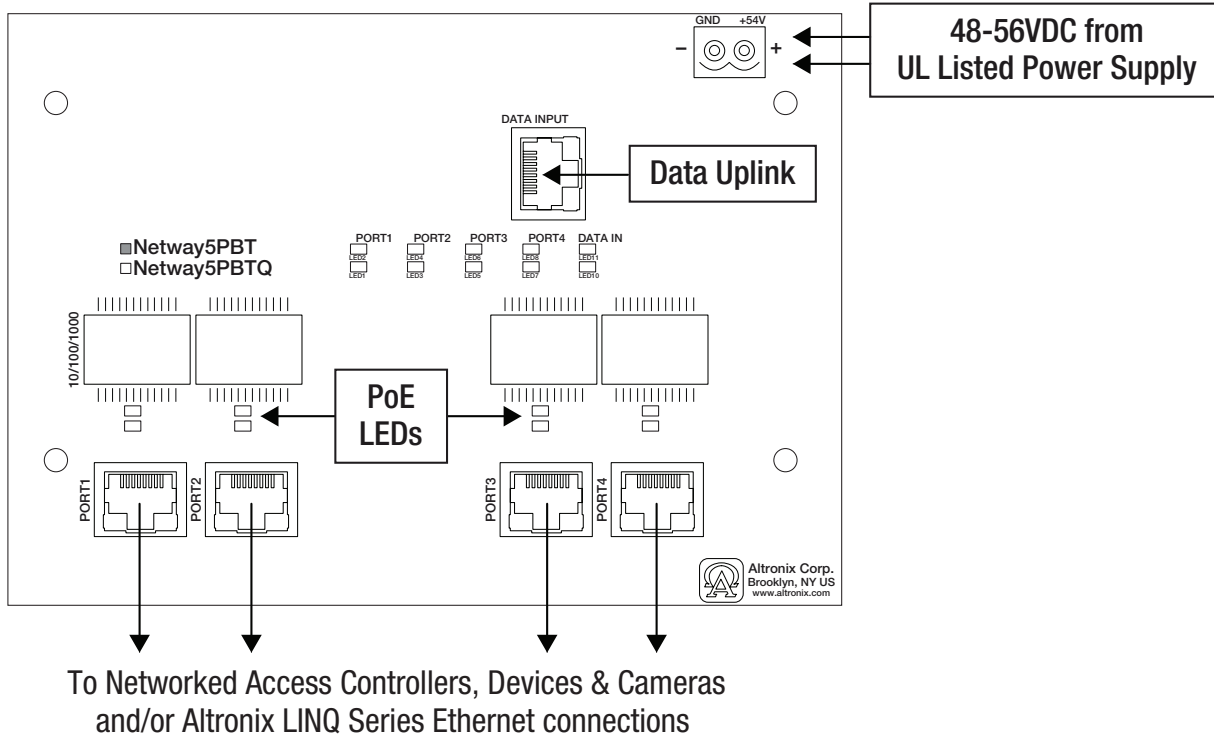
#### Temperature

Operating:  
240W: -30°C to 55°C (-22°F to 131°F)  
180W: -30°C to 65°C (-22°F to 149°F)  
150W: -30°C to 75°C (-22°F to 167°F)  
Storage: -40°C to 85°C (-40°F to 185°F)

Relative Humidity 85% +/- 5%

Operating Altitude: -304.8 to 2,000m

### Typical Application

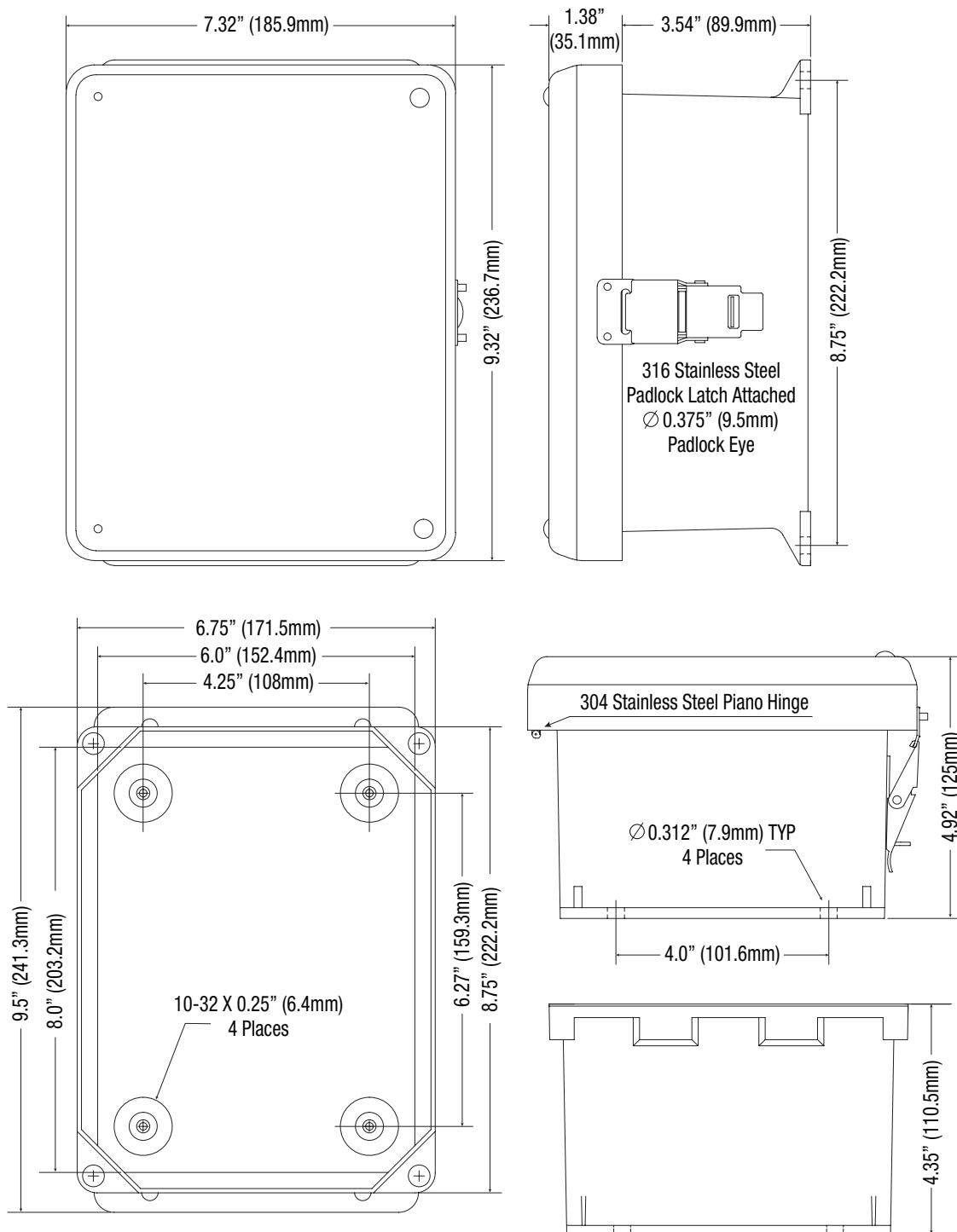


### Lifetime Warranty

## Dimensions and Drawing

Dimensions (H x W x D approximate)

9.5" x 7.32" x 4.92" (236.7mm x 185.9mm x 125mm)



### Lifetime Warranty

Altronix Corporation | 140 58th St | Brooklyn, NY 11220 USA

phone: +1 718.567.8181 | fax: +1 718.567.9056 | email: info@altronix.com | www.altronix.com