

NetWay81G

8-Port PoE Midspan Injector



Altronix NetWay81G is an 8 port midspan in a 1U rack enclosure. It provides PoE/PoE+ (up to 30W power per port), and passes data at 10/100/1000 Mbps at distances up to 100m. Features also include an integral battery charger for applications requiring backup.

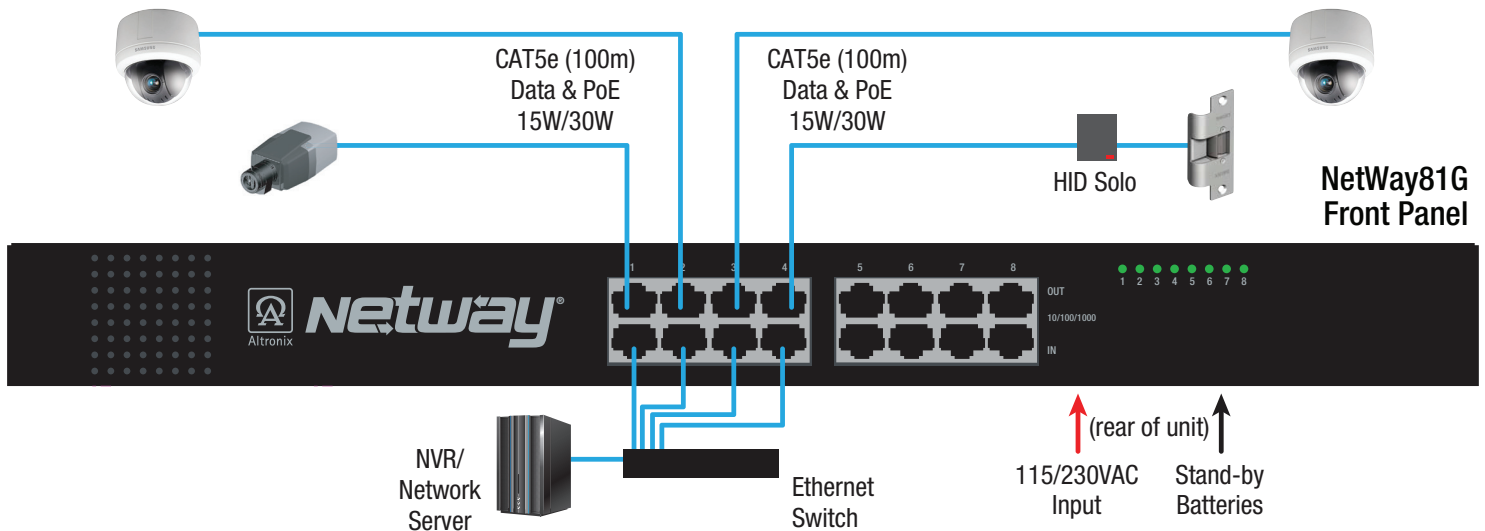


NetWay81G

Key Features

- IEEE 802.3af (15W) and IEEE 802.3at (30W) compliant
- Eight (8) ports for cameras/edge devices over ethernet
- Speed: 10/100/1000 Mbps
- 30W maximum power per port
- Port status LEDs
- Auto detection and protection of legacy non-PoE cameras/devices
- Built-in battery charger
- CE European Conformity
- Lifetime Warranty

Typical Application



Lifetime Warranty

Specifications

Input

115VAC, 60Hz, 3.25A or 230VAC, 50/60Hz, 2.0A

Power

Unit provides PoE / PoE+
30W full power per port
Total power: 240W

Ethernet

Connectivity: RJ45, auto-crossover
Wire type: 4-pair CAT5e or better structured cable
Distance: up to 100m
Speed: 10/100/1000 BaseT, half/full duplex, auto negotiation

Indicators (LED)

Yellow and Green LED (by RJ45 jack):
IP Link status, 10/100/1000 Base-T/active
Green LED Port status

Battery Charging

Type Sealed lead acid or gel type
Failover Upon AC loss, instantaneous
Batteries are sold separately. Separate enclosure is required

Agency Listings

CE European Conformity

Physical and Environmental

Dimensions (H x W x D)

Enclosure:
1.625" x 19.125" x 8.5" (41.3mm x 486mm x 216mm)
Shipping:
20.25" x 12.5" x 7.25" (514.4mm x 317.5mm x 184.2mm)

Weight (approx.)

Product Weight: 6.17 lb. (2.8 kg)
Shipping Weight: 7.5 lb. (3.4 kg)

Temperature

Operating: - 20°C to 50°C (- 4°F to 122°F)
Storage: - 20° to 70°C (- 4°F to 158°F)

Relative Humidity 85% +/- 5%

Operating Altitude: Up to 2,000m

BTU/Hr. (approx.): 123 BTU/Hr.

Accessories (order separately)

Repeaters:



NetWayXT

**NetWayXT
PoE Repeater Module**
Extends data (video) for 100m



NetWayXTX

**NetWayXTX
PoE+ Repeater Module**
Extends data (video) for 100m

Battery Backup:



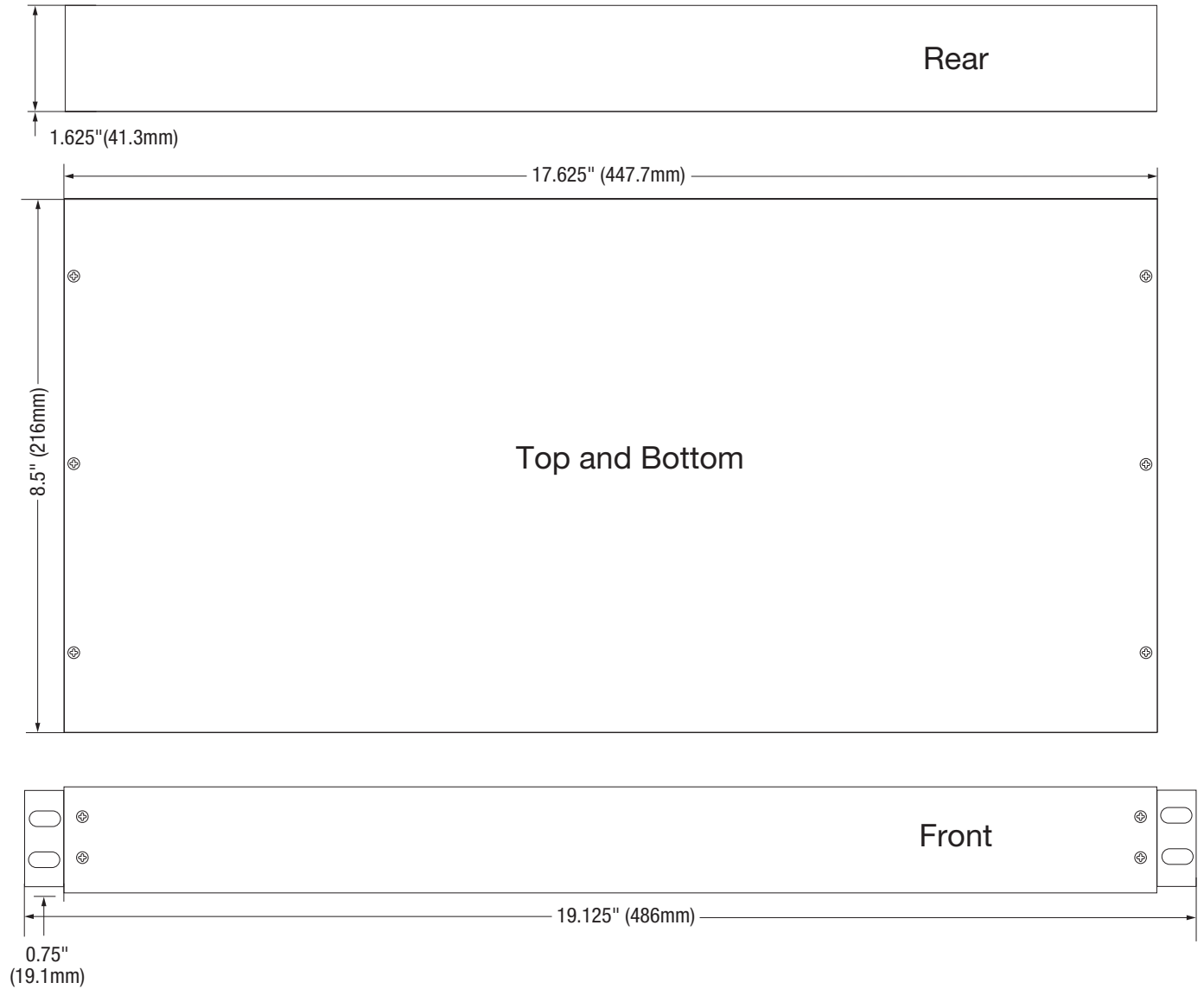
RE2

RE2 – Rack Mount Battery Enclosure
Accommodates up to four (4) 12VDC/7AH batteries

Lifetime Warranty

Dimensions and Drawing

Enclosure Dimensions (H x W x D approximate)
1.625" x 19.125" x 8.5" (41.3mm x 486mm x 216mm)



Lifetime Warranty