

NetWaySP41BTWP

4-port Outdoor Hardened 4PPoE (802.3bt) Switch with Integral Power



Altronix NetWaySP41BTWP supports up to 90W per port (240W total power) for deploying the latest high-powered IP devices in remote locations. It is equipped with two (2) 1Gb SFP ports to transmit data at long distances and four (4) 802.3bt compliant Ethernet ports. NetWaySP41BTWP accommodates single/multi-mode fiber cable to simultaneously deliver power and data from NetWay Spectrum head-end media converters/injectors.



NetWaySP41BTWP

Key Features

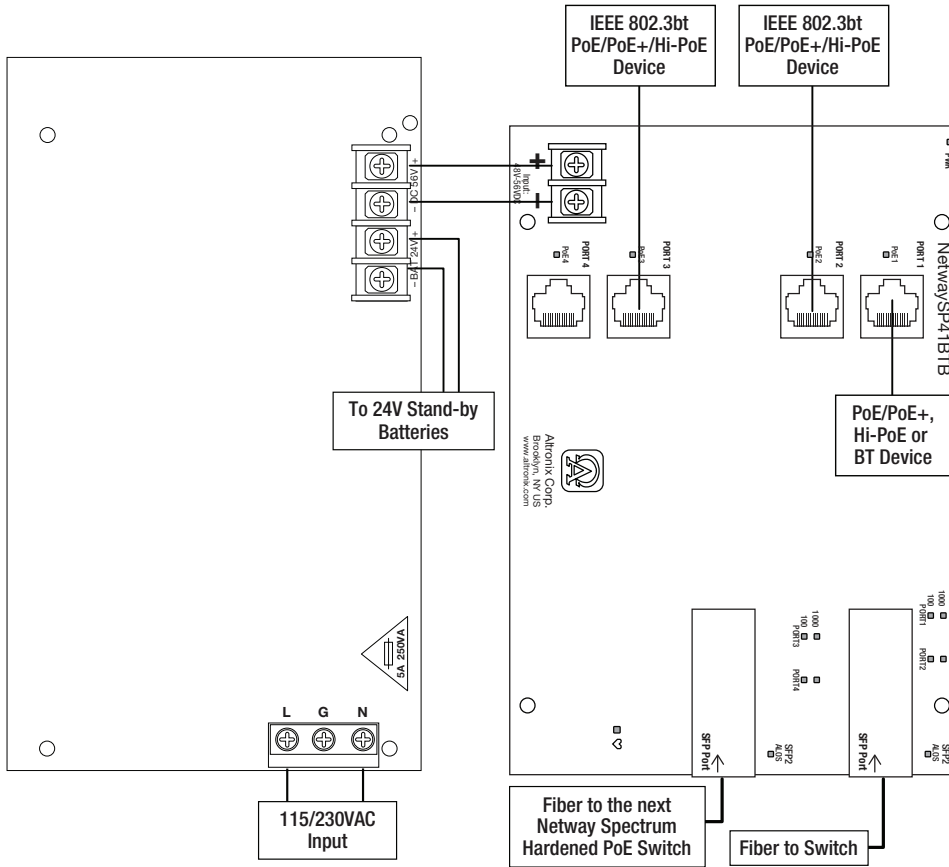
- Four (4) 10/100/1000 Mbps Ethernet ports rated at 90W each (limited to 240W total power)
- IEEE 802.3af, 802.3at, 802.3bt compliant
- Two (2) Gigabit SFP ports
- Built-in charger for LiFePO₄ (Lithium Iron Phosphate) or sealed lead acid or gel type batteries
- CE European Conformity
- NEMA 4/4X, IP66-11 enclosure

Similar products

NetWaySP41BTWPX	Outdoor 4-port Hardened 4PPoE Switch with Integral Power in NEMA 4/4X, IP66-11 enclosure which accommodates stand-by batteries
NetWaySP41BTWPN	Outdoor 4-port Hardened 4PPoE Switch in NEMA 4/4X, IP66-11 enclosure
NetWaySP4BTX	Indoor 4-port Hardened 4PPoE Switch in NEMA 1 Rated indoor enclosure
NetWaySP4BTPL	4-port Hardened 4PPoE Switch with Integral Power on a Backplane
NetWaySP4BTB	4-port Hardened 4PPoE Switch (board only)

Lifetime Warranty

Typical Application



Accessories (order separately)



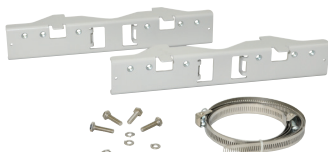
SFP Modules - Hot Pluggable Transceivers

- P1MM Multi-Mode SFP Module for distances up to 550m
- P1SM10 Single-Mode SFP Module for distances up to 10km
- P1AB2K Single Strand SFP Module for distances up to 2km
- P1GCE Copper SFP Module for distances up to 100m



NetWaySP1A

Ethernet over Fiber Media Converter/Repeater for Applications Requiring an Additional SFP (Fiber) Port
 NetWaySP1A PoE powered media converter/repeater converts 10/100/1000 Mbps to Fiber (1000Base-X/SX/LX).



PMK1 - Pole Mount Kit

PMK1 pole mount kit is designed to simplify installation of outdoor units. It accommodates 2" - 8"(diameter) poles.

Lifetime Warranty



NetWaySP41BTWP

4-port Outdoor Hardened 4PPoE (802.3bt) Switch with Integral Power



Specifications

Input

Voltage 115VAC, 60Hz, 1.8A or 230VAC, 50/60Hz, 1A
Input Fuse 5A/250V

Power Output

Maximum Power Four (4) PoE ports rated at 90W each, 240W total power
IEEE 802.3af (15W), IEEE 802.3at (30W), IEE 802.3bt (90W) compliant
Integral surge protection

SFP Ports: Two (2) Gigabit SFP ports

Ethernet Ports: Four (4) 10/100/1000 Mbps ports.
Connectivity: RJ45, auto-crossover
Wire type: 4-pair CAT5e or higher structured cable.
Speed: 10/100/1000 Mbps, half/full duplex, auto negotiation.

Battery Charging

Type 24VDC charging circuit charges LiFePO₄ (Lithium Iron Phosphate) or sealed lead acid or gel type batteries (require separate ventilated enclosure)

Failover Upon AC loss, instantaneous
Batteries are sold separately. Separate ventilated enclosure is required

Indicators (LED)

Individual PoE On LEDs for each port
Individual IP Link status, 10/100/1000 Base-T/active LEDs for each port
ALOS LED indicates fiber connection for SFP port
Heartbeat LED indicates proper operation of the unit

Agency Listings

CE European Conformity

Physical and Environmental

Dimensions (H x W x D)

Enclosure: 13.31" x 11.31" x 5.59"
(338.1mm x 287.3mm x 142mm)
Shipping: 20.25" x 12.5" x 7.25"
(514.4mm x 317.5mm x 184.2mm)

NEMA 4/4X, IP66-11 Rated enclosure for outdoor use

Weight (approx.)

Product: 10.5 lb. (4.76 kg)
Shipping: 11.9 lb. (5.4 kg)

Temperature

Operating:
240W: - 40°C to 55°C (- 40°F to 131°F)
180W: - 40°C to 65°C (- 40°F to 149°F)
150W: - 40°C to 75°C (- 40°F to 167°F)
Storage: - 40°C to 85°C (- 40°F to 185°F)

Relative Humidity 85% +/- 5%

BTU/Hr (approx.) 122 BTU/Hr.

Operating Altitude: - 304.8 to 2,000m

Lifetime Warranty

NetWaySP41BTWP

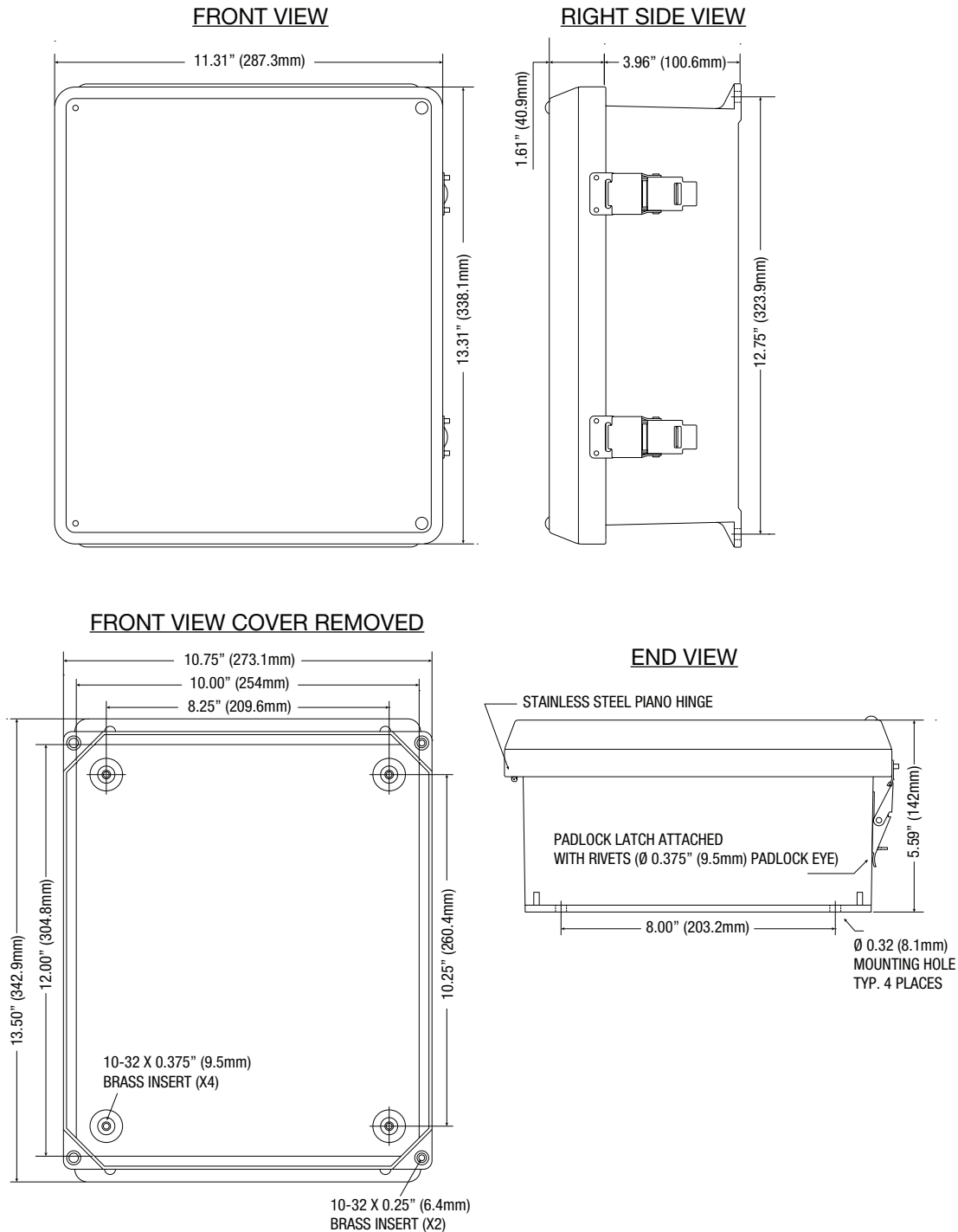
4-port Outdoor Hardened 4PPoE (802.3bt) Switch with Integral Power



Dimensions and Drawing

Dimensions (H x W x D approximate)

13.31" x 11.31" x 5.59" (338.1mm x 287.3mm x 142mm)



Lifetime Warranty

Altronix Corporation | 140 58th St | Brooklyn, NY 11220 USA

phone: +1 718.567.8181 | fax: +1 718.567.9056 | email: info@altronix.com | www.altronix.com