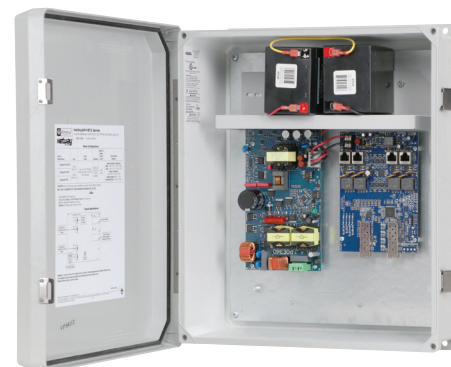


NetWaySP41BTWPX3

4-port Outdoor Hardened 4PPoE (802.3bt) Switch with Integral Power



Altronix NetWaySP41BTWPX3 supports up to 90W per port (360W total power) for deploying the latest high-powered IP devices in remote locations. It is equipped with two (2) 1Gb SFP ports to transmit data at long distances and four (4) 802.3bt compliant Ethernet ports. NetWaySP41BTWPX3 accommodates single/multi-mode fiber cable to deliver data from NetWay Spectrum head-end media converters/injectors.



NetWaySP41BTWPX3

Key Features

- Four (4) 10/100/1000 Mbps Ethernet ports rated at 90W each (limited to 360W total power)
- IEEE 802.3af, 802.3at, 802.3bt compliant
- Two (2) Gigabit SFP ports
- Built-in charger for sealed lead acid or gel type batteries
- CE European Conformity
- NEMA 4/4X, IP66-11 enclosure accommodates batteries

Similar products

NetWaySP41BTWP3	Outdoor 4-port Hardened 4PPoE Switch with Integral Power in NEMA 4/4X, IP66-11 enclosure
NetWaySP41BTX3	Indoor 4-port Hardened 4PPoE Switch in NEMA 1 Rated indoor enclosure
NetWaySP41BTPL3	4-port Hardened 4PPoE Switch with Integral Power on a Backplane

Accessories (order separately)



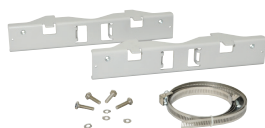
SFP Modules - Hot Pluggable Transceivers

- P1MM Multi-Mode SFP Module for distances up to 550m
- P1SM10 Single-Mode SFP Module for distances up to 10km
- P1AB2K Single Strand SFP Module for distances up to 2km
- P1GCE Copper SFP Module for distances up to 100m



NetWaySP1A

Ethernet over Fiber Media Converter/Repeater for Applications Requiring an Additional SFP (Fiber) Port
 NetWaySP1A PoE powered media converter/repeater converts 10/100/1000 Mbps to Fiber (1000Base-X/SX/LX).



PMK2 - Pole Mount Kit

PMK2 pole mount kit is designed to simplify installation of outdoor units. It accommodates 2" - 8" (diameter) poles.



Vent2 - Air Vents For NEMA4/4X Rated Enclosures

Altronix Vent2 air vents ensure efficient air circulation and prevent water condensation in NEMA4/4X Rated Enclosures. Pair of air vents must be mounted per enclosure.

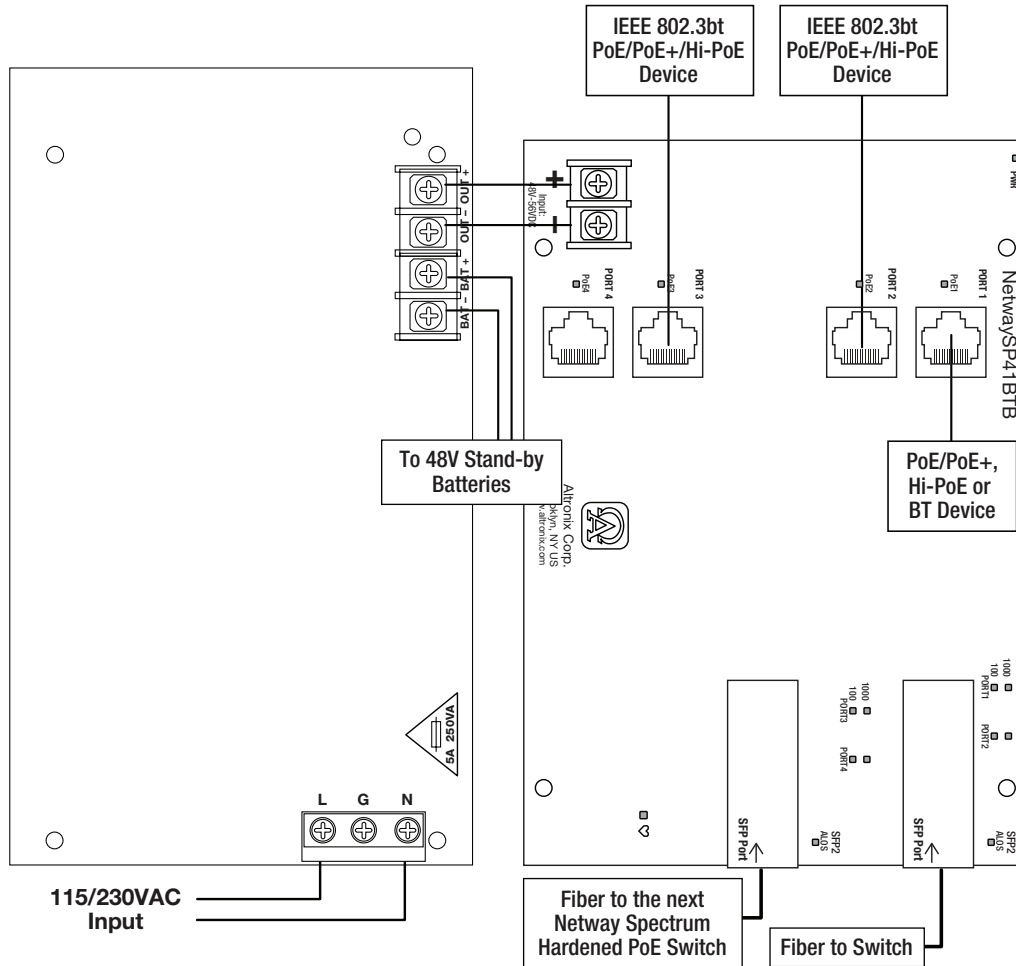
Lifetime Warranty

NetWaySP41BTWPX3

4-port Outdoor Hardened 4PPoE (802.3bt) Switch with Integral Power



Typical Application



Lifetime Warranty

Altronix Corporation | 140 58th St | Brooklyn, NY 11220 USA

phone: +1 718.567.8181 | fax: +1 718.567.9056 | email: info@altronix.com | www.altronix.com



NetWaySP41BTWPX3

4-port Outdoor Hardened 4PPoE (802.3bt) Switch with Integral Power



Specifications

Input

Voltage 115VAC, 60Hz, 3.5A or
230VAC, 50/60Hz, 2A

Input Fuse 5A/250V

Power Output

Maximum Power Four (4) PoE ports rated at 90W each,
360W total power
IEEE 802.3af (15W),
IEEE 802.3at (30W),
IEE 802.3bt (90W) compliant
Integral surge protection

SFP Ports: Two (2) Gigabit SFP ports

Ethernet Ports: Four (4) 10/100/1000 Mbps ports
Connectivity: RJ45, auto-crossover
Wire type: 4-pair CAT5e or higher
structured cable
Speed: 10/100/1000 Mbps,
half/full duplex, auto negotiation

Battery Charging

Type 48VDC charging circuit charges
sealed lead acid or gel type batteries
(within enclosure,
ventilation is required)

Failover Upon AC loss, instantaneous
Batteries are sold separately

Indicators (LED)

Individual PoE On LEDs for each port
Individual IP Link status, 10/100/1000 Base-T/active
LEDs for each port
ALOS LED indicates fiber connection for SFP port
Heartbeat LED indicates proper operation of the unit

Agency Listings

CE European Conformity

Physical and Environmental

Dimensions (H x W x D)

Enclosure: 17.53" x 15.3" x 6.67"
(445.3mm x 388.6mm x 169.4mm)

Shipping: 21.375" x 14.5" x 9.5"
(542.9mm x 374.7mm x 241.3mm)

NEMA 4/4X, IP66-11 Rated enclosure for outdoor use
Accommodates four (4) 12VDC/4AH batteries (48V of backup)

Weight (approx.)

Product: 15 lb. (6.8 kg)
Shipping: 17.5 lb. (7.9 kg)

Temperature

360W: - 30°C to 65°C (- 22°F to 149°F)
240W: - 30°C to 70°C (- 22°F to 158°F)
Storage - 30°C to 85°C (- 22°F to 185°F)

Relative Humidity 85% +/- 5%

BTU/Hr (approx.) 183 BTU/Hr.

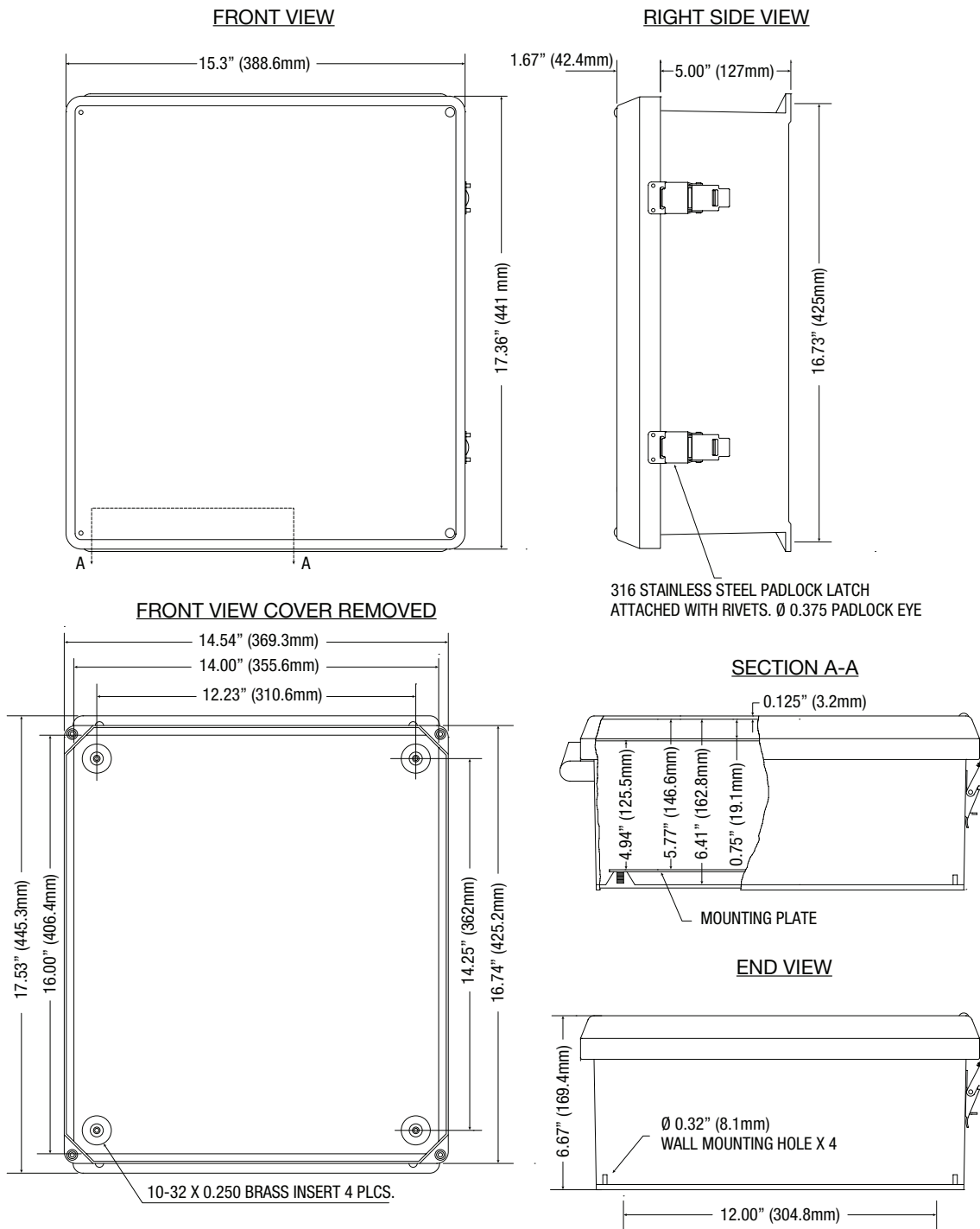
Operating Altitude: - 304.8 to 2,000m

Lifetime Warranty

Dimensions and Drawing

Dimensions (H x W x D approximate)

17.53" x 15.3" x 6.67" (445.3mm x 388.6mm x 169.4mm)



Lifetime Warranty