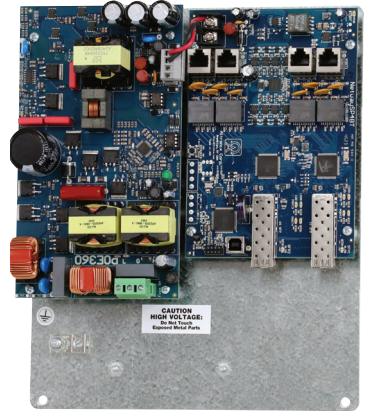


# NetWaySP4BTPL3

4-port Hardened 4PPoE (802.3bt) Switch with Integral Power on a Backplane



Altronix NetWaySP4BTPL3 supports up to 90W per port (360W total power) for deploying the latest high-powered IP devices in remote locations. It is equipped with two (2) 1Gb SFP ports to transmit data at long distances and four (4) 802.3bt compliant Ethernet ports. NetWaySP4BTPL3 accommodates single/multi-mode fiber or composite cable (fiber+copper) to simultaneously deliver power and data from NetWay Spectrum head-end media converters/injectors. Embedded LINQ Technology allows to monitor, control, and report power and diagnostics from anywhere.



NetWaySP4BTPL3

For unmanaged switch see model NetWaySP41BTPL3

## Key Features

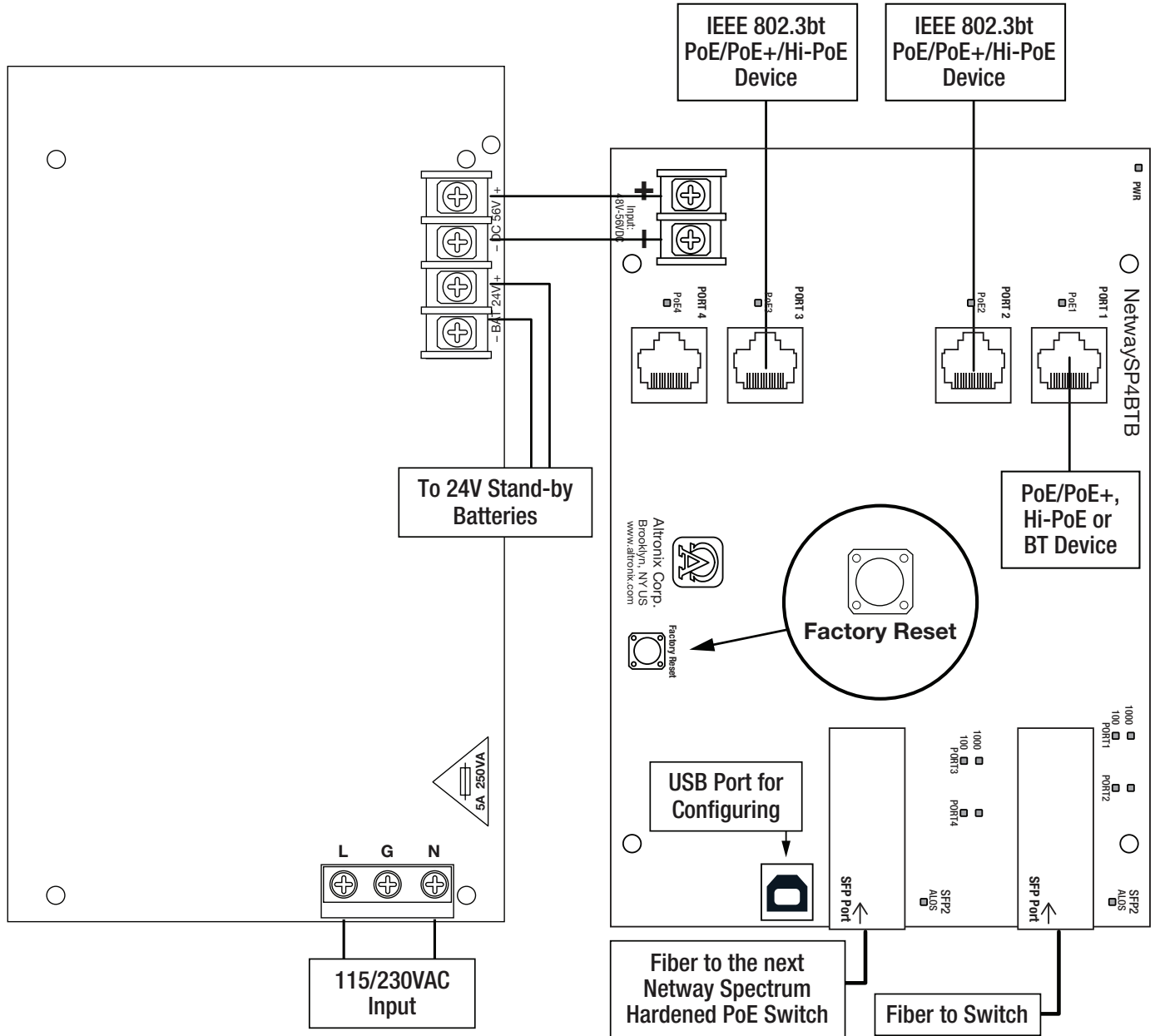
- Four (4) 10/100/1000 Mbps Ethernet ports rated at 90W each (limited to 360W total power)
- IEEE 802.3af, 802.3at, 802.3bt compliant
- Two (2) Gigabit SFP ports
- VLAN (Virtual Local Area Networks) subnetwork allows for the grouping together of devices for improved network traffic and higher security
- Built-in charger for LiFePO<sub>4</sub> (Lithium Iron Phosphate) or sealed lead acid or gel type batteries
- CE European Conformity
- Switch and power supply are factory mounted on a backplane
- LINQ Technology:
  - Remote network management allows for camera/device reset and diagnostic monitoring
  - Provides local and/or remote access to critical information via LAN/WAN
  - Email and Windows Dashboard Alert notifications report real-time events
  - Event log tracks history

## Similar products

<b>NetWaySP4BTWPX3</b>	Outdoor 4-port Hardened 4PPoE Switch with Integral Power in NEMA 4/4X, IP66-11 enclosure which accommodates stand-by batteries
<b>NetWaySP4BTWP3</b>	Outdoor 4-port Hardened 4PPoE Switch with Integral Power in NEMA 4/4X, IP66-11 enclosure
<b>NetWaySP4BTX3</b>	4-port Hardened 4PPoE Switch with Integral Power in NEMA 1 Rated indoor enclosure

### Lifetime Warranty

## Typical Application



### Lifetime Warranty

Altronix Corporation | 140 58th St | Brooklyn, NY 11220 USA

phone: +1 718.567.8181 | fax: +1 718.567.9056 | email: info@altronix.com | www.altronix.com

# NetWaySP4BTPL3

4-port Hardened 4PPoE (802.3bt) Switch with Integral Power on a Backplane



## Specifications

### Input

Voltage 115VAC, 60Hz, 3.5A or 230VAC, 50/60Hz, 2A  
 Input Fuse 5A/250V

### Power Output

Maximum Power Four (4) PoE ports rated at 90W each, 360W total power  
 IEEE 802.3af (15W), IEEE 802.3at (30W), IEE 802.3bt (90W) compliant  
 Integral surge protection

### SFP Ports:

Two (2) Gigabit SFP ports

### Ethernet Ports:

Four (4) 10/100/1000 Mbps ports. Connectivity: RJ45, auto-crossover  
 Wire type: 4-pair CAT5e or higher structured cable.  
 Speed: 10/100/1000 Mbps, half/full duplex, auto negotiation.

### Battery Charging

Type 24VDC charging circuit charges LiFePO<sub>4</sub> (Lithium Iron Phosphate) or sealed lead acid or gel type batteries (require separate ventilated enclosure)

Failover Upon AC loss, instantaneous  
 Batteries are sold separately

### Indicators (LED)

Individual PoE On LEDs for each port  
 Individual IP Link status, 10/100/1000 Base-T/active LEDs for each port  
 ALOS LED indicates fiber connection for SFP port  
 Heartbeat LED indicates proper operation of the unit

### VLAN:

Multiple management VLAN assignment  
 802.1Q Tagged VLAN  
 Up to 10 VLAN groups. ID Range 2-4095

### LINQ Technology:

Remote network management allows for camera/device reset and diagnostic monitoring  
 Provides local and/or remote access to critical information via LAN/WAN  
 Email and Windows Dashboard Alert notifications report real-time events  
 Event log tracks history

### Agency Listings

CE European Conformity

### Physical and Environmental

#### Dimensions (H x W x D approx.):

Backplane: 10.75" x 8.875" x 2.375"  
 (273.1mm x 225.4mm x 60.3mm)  
 Shipping: 12" x 10" x 8"  
 (304.8mm x 254mm x 203.2mm)

#### Weight (approx.)

Product: 2.6 lb. (1.18 kg)  
 Shipping: 4.0 lb. (1.81 kg)

#### Temperature

Operating (360W): -40°C to 45°C (-40°F to 113°F)  
 Operating (240W): -30°C to 55°C (-22°F to 131°F)  
 Operating (180W): -30°C to 65°C (-22°F to 149°F)  
 Operating (150W): -30°C to 75°C (-22°F to 167°F)  
 Storage: -30°C to 85°C (-22°F to 185°F)

#### Relative Humidity

85% +/- 5%

#### BTU/Hr (approx.)

183 BTU/Hr.

#### Operating Altitude:

-304.8 to 2,000m

## Accessories (order separately)



### SFP Modules - Hot Pluggable Transceivers

P1MM Multi-Mode SFP Module for distances up to 550m  
 P1SM10 Single-Mode SFP Module for distances up to 10km  
 P1AB2K Single Strand SFP Module for distances up to 2km  
 P1GCE Copper SFP Module for distances up to 100m



### NetWaySP1A

Ethernet over Fiber Media Converter/Repeater for Applications Requiring an Additional SFP (Fiber) Port  
 NetWaySP1A PoE powered media converter/repeater converts 10/100/1000 Mbps to Fiber (1000Base-X/SX/LX).

### Lifetime Warranty

# NetWaySP4BTPL3

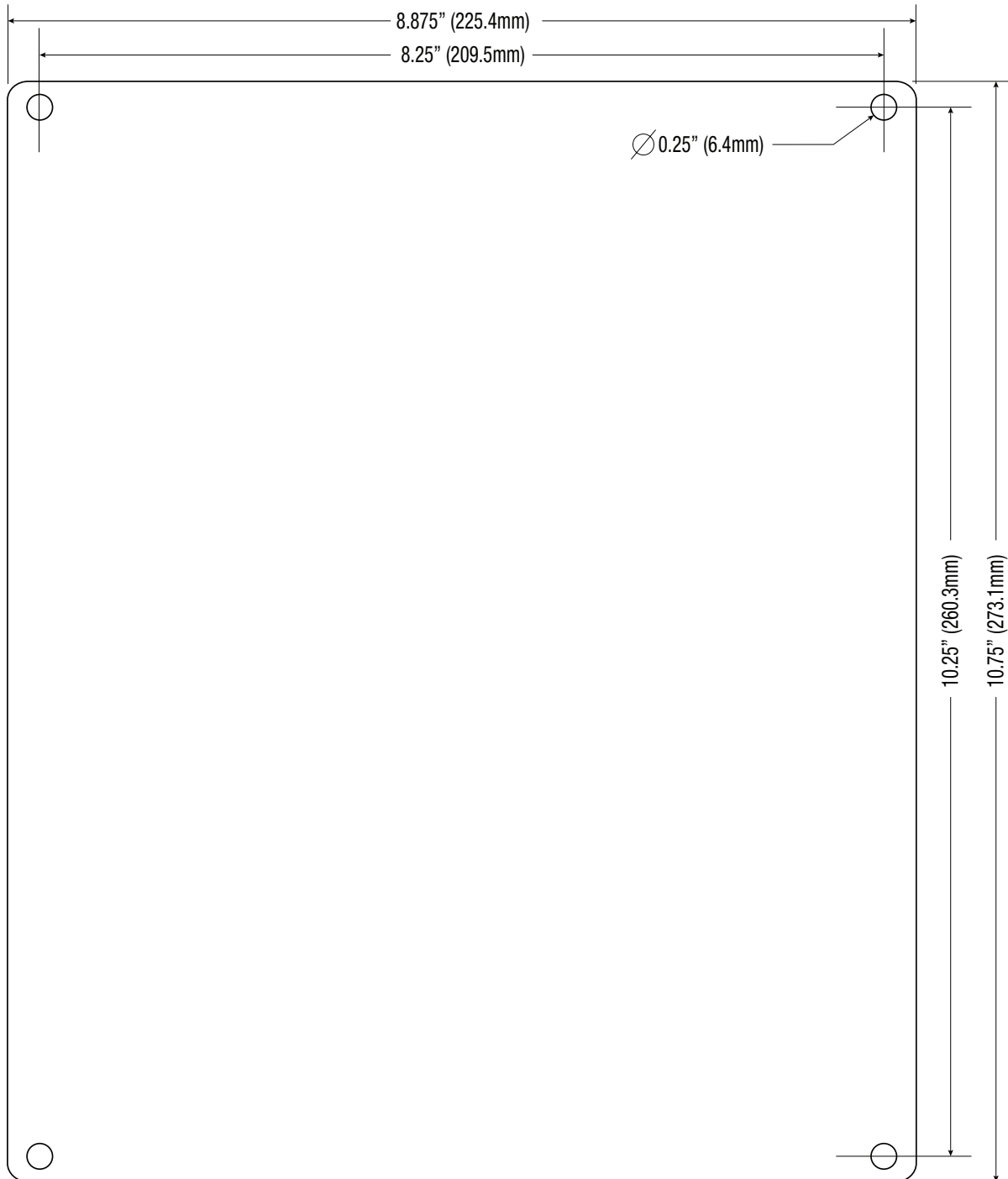
4-port Hardened 4PPoE (802.3bt) Switch with Integral Power on a Backplane



## Dimensions and Drawing

Backplane Dimensions (H x W x D approximate)

10.75" x 8.875" x 2.375" (273.1mm x 225.4mm x 60.3mm)



### Lifetime Warranty

Altronix Corporation | 140 58th St | Brooklyn, NY 11220 USA

phone: +1 718.567.8181 | fax: +1 718.567.9056 | email: [info@altronix.com](mailto:info@altronix.com) | [www.altronix.com](http://www.altronix.com)