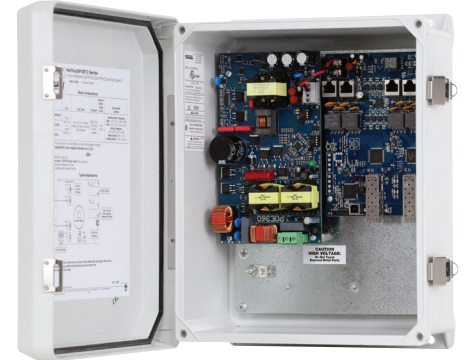


NetWaySP4BTWP3

4-Port Outdoor Hardened 4PPoE (802.3bt) Switch with Integral Power



Altronix NetWaySP4BTWP3 supports up to 90W per port (360W total power) for deploying the latest high-powered IP devices in remote locations. It is equipped with two (2) 1Gb SFP ports to transmit data at long distances and four (4) 802.3bt compliant Ethernet ports. NetWaySP4BTWP3 accommodates single/multi-mode fiber or composite cable (fiber+copper) to simultaneously deliver power and data from NetWay Spectrum head-end media converters/injectors. Embedded LINQ Technology allows to monitor, control, and report power and diagnostics from anywhere.



NetWaySP4BTWP3

For unmanaged switch see model NetWaySP41BTWP3

Key Features

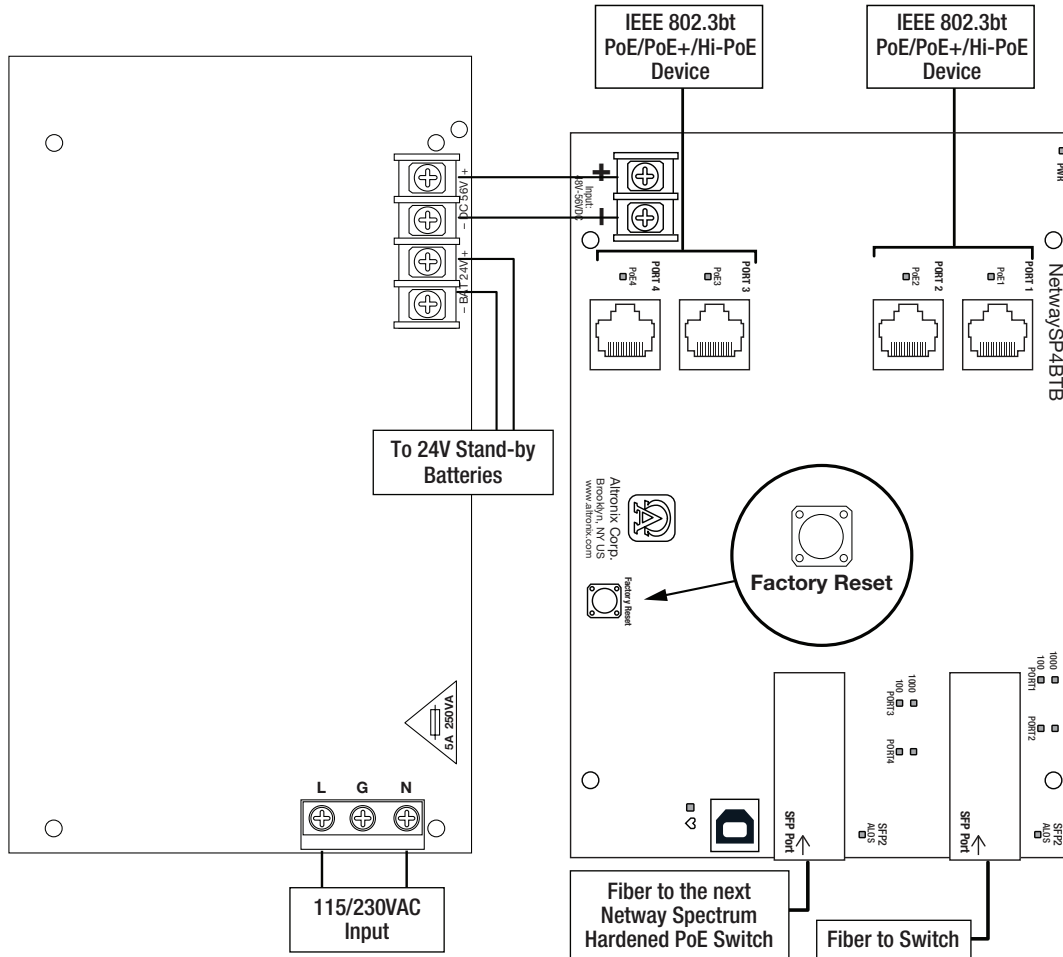
- Four (4) 10/100/1000 Mbps Ethernet ports rated at 90W each (360W total power)
- IEEE 802.3af, 802.3at, 802.3bt compliant
- Two (2) Gigabit SFP ports
- VLAN (Virtual Local Area Networks) subnetwork allows for the grouping together of devices for improved network traffic and higher security
- Built-in charger for LiFePO₄ (Lithium Iron Phosphate) or sealed lead acid or gel type batteries
- CE European Conformity
- NEMA 4/4X, IP66-11 enclosure
- LINQ Technology:
 - Remote network management allows for camera/device reset and diagnostic monitoring
 - Provides local and/or remote access to critical information via LAN/WAN
 - Email and Windows Dashboard Alert notifications report real-time events
 - Event log tracks history

Similar products

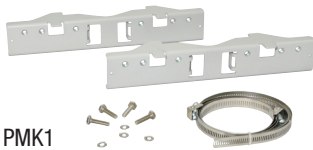
NetWaySP4BTWPX3	Outdoor 4-port Hardened 4PPoE Switch with Integral Power in NEMA 4/4X, IP66-11 enclosure which accommodates stand-by batteries
NetWaySP4BTX3	Indoor 4-port Hardened 4PPoE Switch in NEMA 1 Rated indoor enclosure
NetWaySP4BTPL3	4-port Hardened 4PPoE Switch with Integral Power on a Backplane

Lifetime Warranty

Typical Application



Accessories (order separately)



PMK1 - Pole Mount Kit

PMK1 pole mount kit is designed to simplify installation of outdoor units. It accommodates 2" - 8" (diameter) poles.



SFP Modules - Hot pluggable Transceivers

- P1MM** Multi-Mode SFP Module for distances up to 550m.
- P1SM10** Single-Mode SFP Module for distances up to 10km.
- P1AB2K** Single Strand SFP Module for distances up to 2km.
- P1GCE** Copper SFP Module for distances up to 100m.



NetWaySP1A - Ethernet over Fiber Media Converter/Repeater for applications requiring an additional SFP (Fiber) Port

NetWaySP1A PoE powered media converter/repeater converts 10/100/1000 Mbps to Fiber (1000Base-X/SX/LX).

Lifetime Warranty

NetWaySP4BTWP3

4-port Outdoor Hardened 4PPoE (802.3bt) Switch with Integral Power



Specifications

Input

Voltage 115VAC, 60Hz, 3.5A or 230VAC, 50/60Hz, 2A
 Input Fuse 5A/250V

Power Output

Maximum Power Four (4) PoE ports rated at 90W each, 360W total power
 IEEE 802.3af (15W), IEEE 802.3at (30W), IEE 802.3bt (90W) compliant
 Integral surge protection

SFP Ports:

Two (2) Gigabit SFP ports

Ethernet Ports:

Four (4) 10/100/1000 Mbps ports.
 Connectivity: RJ45, auto-crossover
 Wire type: 4-pair CAT5e or higher structured cable.
 Speed: 10/100/1000 Mbps, half/full duplex, auto negotiation.

Battery Charging

Type 24VDC charging circuit charges LiFePO₄ (Lithium Iron Phosphate) or sealed lead acid or gel type batteries (require separate ventilated enclosure)

Failover

Upon AC loss, instantaneous
 Batteries are sold separately. Separate ventilated enclosure is required

Indicators (LED)

Individual PoE On LEDs for each port
 Individual IP Link status, 10/100/1000 Base-T/active LEDs for each port
 ALOS LED indicates fiber connection for SFP port
 Heartbeat LED indicates proper operation of the unit

VLAN:

Multiple management VLAN assignment
 802.1Q Tagged VLAN
 Up to 10 VLAN groups. ID Range 2-4095

LINQ Technology:

Remote network management allows for camera/device reset and diagnostic monitoring
 Provides local and/or remote access to critical information via LAN/WAN
 Email and Windows Dashboard Alert notifications report real-time events
 Event log tracks history

Agency Listings

CE European Conformity

Physical and Environmental

Dimensions (H x W x D)

Enclosure: 13.31" x 11.31" x 5.59"
 (338.1mm x 287.3mm x 142mm)
 Shipping: 20.25" x 12.5" x 7.25"
 (514.4mm x 317.5mm x 184.2mm)

NEMA 4/4X, IP66-11 Rated enclosure for outdoor use

Weight (approx.)

Product: 10.5 lb. (4.76 kg)
 Shipping: 11.9 lb. (5.4 kg)

Temperature

Operating (360W): - 40°C to 45°C (- 40°F to 113°F)
 Operating (240W): - 30°C to 55°C (- 22°F to 131°F)
 Operating (180W): - 30°C to 65°C (- 22°F to 149°F)
 Operating (150W): - 30°C to 75°C (- 22°F to 167°F)
 Storage - 30°C to 85°C (- 22°F to 185°F)

Relative Humidity

85% +/- 5%

BTU/Hr (approx.)

183 BTU/Hr.

Operating Altitude:

- 304.8 to 2,000m

Lifetime Warranty

