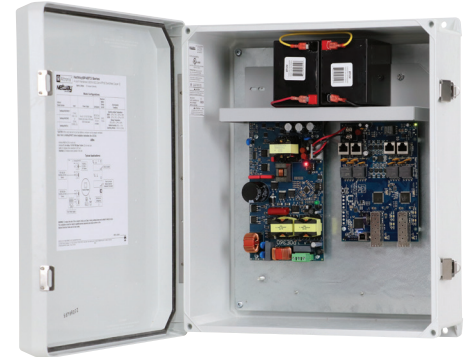


NetWaySP4BTWPX3

4-port Outdoor Hardened 4PPoE (802.3bt) Switch with Integral Power



Altronix NetWaySP4BTWPX3 supports up to 90W per port (360W total power) for deploying the latest high-powered IP devices in remote locations. It is equipped with two (2) 1Gb SFP ports to transmit data at long distances and four (4) 802.3bt compliant Ethernet ports. NetWaySP4BTWPX3 accommodates single/multi-mode fiber or composite cable (fiber+copper) to simultaneously deliver power and data from NetWay Spectrum head-end media converters/injectors. Embedded LINQ Technology allows to monitor, control, and report power and diagnostics from anywhere.



NetWaySP4BTWPX3

For unmanaged switch see model NetWaySP41BTWPX3

Key Features

- Four (4) 10/100/1000 Mbps Ethernet ports rated at 90W each (limited to 360W total power)
- IEEE 802.3af, 802.3at, 802.3bt compliant
- Two (2) Gigabit SFP ports
- VLAN (Virtual Local Area Networks) subnetwork allows for the grouping together of devices for improved network traffic and higher security
- Built-in charger for LiFePO₄ (Lithium Iron Phosphate) or sealed lead acid or gel type batteries
- CE European Conformity
- NEMA 4/4X, IP66-11 enclosure accommodates batteries
- LINQ Technology:
 - Remote network management allows for camera/device reset and diagnostic monitoring
 - Provides local and/or remote access to critical information via LAN/WAN
 - Email and Windows Dashboard Alert notifications report real-time events
 - Event log tracks history

Similar products

NetWaySP4BTWP3	Outdoor 4-port Hardened 4PPoE Switch with Integral Power in NEMA 4/4X, IP66-11 enclosure
NetWaySP4BTX3	Indoor 4-port Hardened 4PPoE Switch in NEMA 1 Rated indoor enclosure
NetWaySP4BTPL3	4-port Hardened 4PPoE Switch with Integral Power on a Backplane

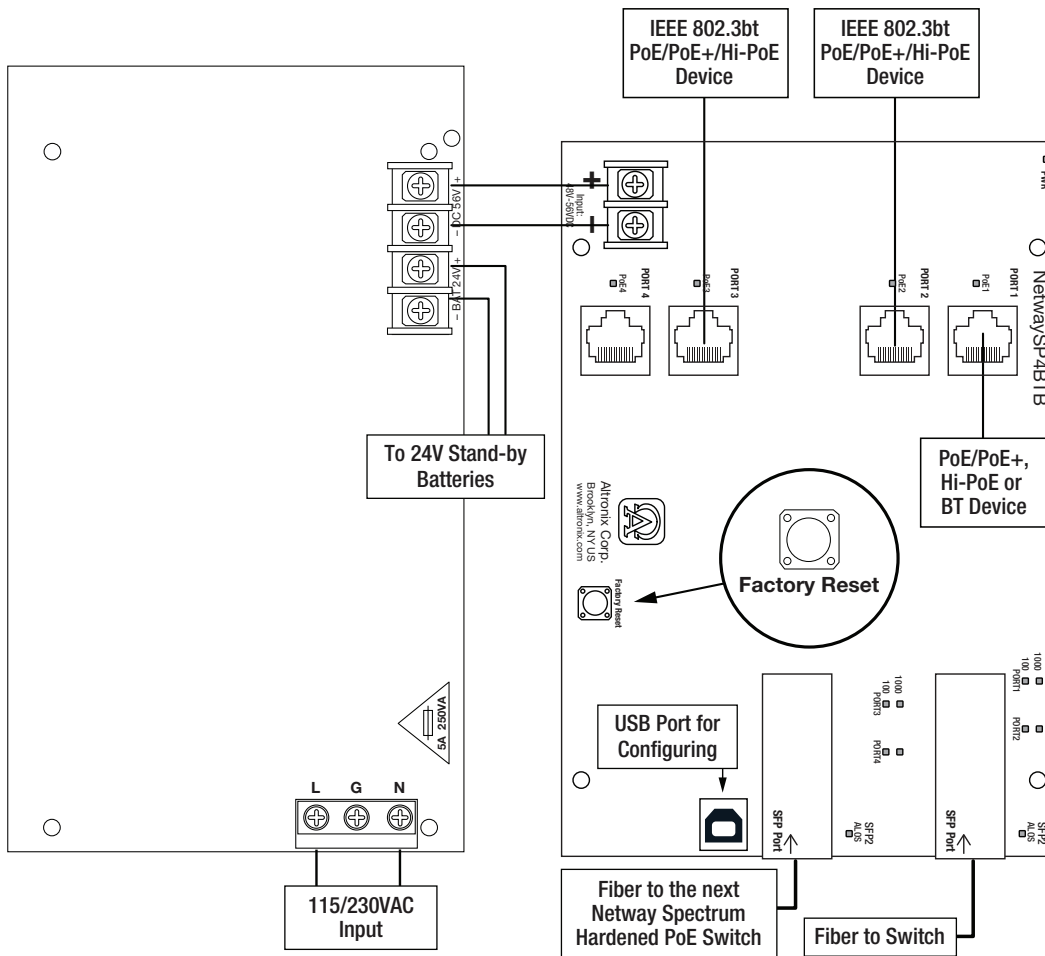
Lifetime Warranty

NetWaySP4BTWPX3

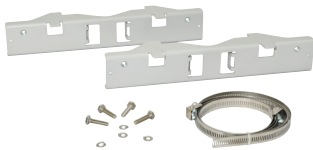
4-port Outdoor Hardened 4PPoE (802.3bt) Switch with Integral Power



Typical Application



Accessories (order separately)



PMK2 - Pole Mount Kit

PMK2 pole mount kit is designed to simplify installation of outdoor units. It accommodates 2" - 8" (diameter) poles.



SFP Modules - Hot pluggable Transceivers

- P1MM** Multi-Mode SFP Module for distances up to 550m.
- P1SM10** Single-Mode SFP Module for distances up to 10km.
- P1AB2K** Single Strand SFP Module for distances up to 2km.
- P1GCE** Copper SFP Module for distances up to 100m.



NetWaySP1A - Ethernet over Fiber Media Converter/Repeater for Applications Requiring an Additional SFP (Fiber) Port

NetWaySP1A PoE powered media converter/repeater converts 10/100/1000 Mbps to Fiber (1000Base-X/SX/LX).

Lifetime Warranty



NetWaySP4BTWPX3

4-port Outdoor Hardened 4PPoE (802.3bt) Switch with Integral Power



Specifications

Input

Voltage 115VAC, 60Hz, 3.5A or 230VAC, 50/60Hz, 2A

Input Fuse 5A/250V

Power Output

Maximum Power Four (4) PoE ports rated at 90W each, 360W total power
IEEE 802.3af (15W),
IEEE 802.3at (30W),
IEE 802.3bt (90W) compliant
Integral surge protection

SFP Ports:

Two (2) Gigabit SFP ports

Ethernet Ports:

Four (4) 10/100/1000 Mbps ports
Connectivity: RJ45, auto-crossover
Wire type: 4-pair CAT5e or higher structured cable
Speed: 10/100/1000 Mbps, half/full duplex, auto negotiation

Battery Charging

Type 24VDC charging circuit charges LiFePO₄ (Lithium Iron Phosphate) or sealed lead acid or gel type batteries (within enclosure, **ventilation is required**)

Failover Upon AC loss, instantaneous
Batteries are sold separately

Indicators (LED)

Individual PoE On LEDs for each port
Individual IP Link status, 10/100/1000 Base-T/active LEDs for each port
ALOS LED indicates fiber connection for SFP port
Heartbeat LED indicates proper operation of the unit

VLAN:

Multiple management VLAN assignment
802.1Q Tagged VLAN
Up to 10 VLAN groups. ID Range 2-4095

LINQ Technology:

Remote network management allows for camera/device reset and diagnostic monitoring
Provides local and/or remote access to critical information via LAN/WAN
Email and Windows Dashboard Alert notifications report real-time events
Event log tracks history

Agency Listings

CE European Conformity

Physical and Environmental

Dimensions (H x W x D)

Enclosure: 17.53" x 15.3" x 6.67"
(445.3mm x 388.6mm x 169.4mm)

Shipping: 21.375" x 14.5" x 9.5"
(542.9mm x 374.7mm x 241.3mm)

NEMA 4/4X, IP66-11 Rated enclosure for outdoor use
Accommodates four (4) 12VDC/4AH batteries (48V of backup)

Weight (approx.)

Product: 15 lb. (6.8 kg)
Shipping: 17.5 lb. (7.9 kg)

Temperature

Operating (360W): - 40°C to 45°C (- 40°F to 113°F)
Operating (240W): - 30°C to 55°C (- 22°F to 131°F)
Operating (180W): - 30°C to 65°C (- 22°F to 149°F)
Operating (150W): - 30°C to 75°C (- 22°F to 167°F)
Storage - 30°C to 85°C (- 22°F to 185°F)

Relative Humidity 85% +/- 5%

BTU/Hr (approx.) 183 BTU/Hr.

Operating Altitude: - 304.8 to 2,000m

Lifetime Warranty

NetWaySP4BTWPX3

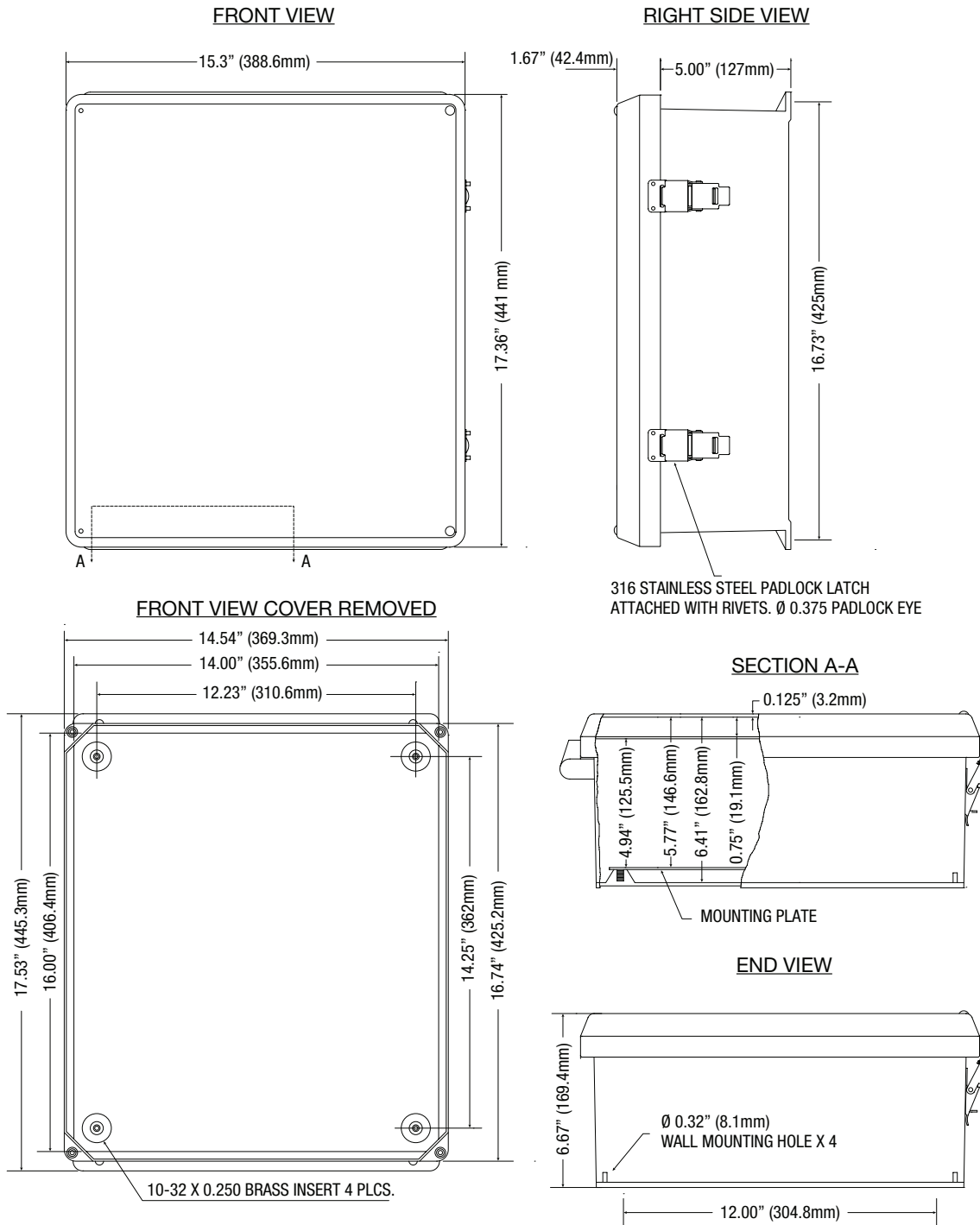
4-port Outdoor Hardened 4PPoE (802.3bt) Switch with Integral Power



Dimensions and Drawing

Dimensions (H x W x D approximate)

17.53" x 15.3" x 6.67" (445.3mm x 388.6mm x 169.4mm)



Lifetime Warranty