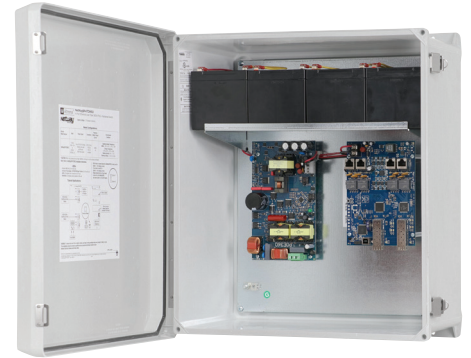


## NetWaySP4TCW53

4-port 802.3bt Hardened Switch, Integral Power with Rapid Battery Charger



Altronix NetWaySP4TCW53 supports up to 90W per port (360W total power) for deploying the latest high-powered IP devices in remote locations. It is equipped with two (2) 1Gb SFP ports to transmit data at long distances and four (4) 802.3bt (90W) Ethernet ports. NetWaySP4TCW53 accommodates single/multi-mode fiber or composite cable (fiber+copper) to simultaneously deliver power and data from NetWay Spectrum head-end media converters/injectors. NetWaySP4TCW53 has an integrated rapid battery charger for extended battery run times. Embedded LINQ Technology allows to monitor, control, and report power and diagnostics from anywhere.



NetWaySP4TCW53

### Key Features

- Four (4) 802.3bt (up to 90W) ports (360W total power)
- IEEE 802.3af, 802.3at compliant or Hi-PoE (60W)
- Two (2) Gigabit SFP ports
- LINQ Technology:
  - Remote network management allows for camera/device reset and diagnostic monitoring
  - Provides local and/or remote access to critical information via LAN/WAN
  - Email and Windows Dashboard Alert notifications report real-time events
  - Event log tracks history
- VLAN (Virtual Local Area Networks) subnetwork allows for the grouping together of devices for improved network traffic and higher security
- Integrated rapid battery charger for extended battery run times
- Selectable charging circuit 2A or 4A
- CE European Conformity
- NEMA 4/4X, IP66-11 enclosure accommodates batteries

### Accessories (included)



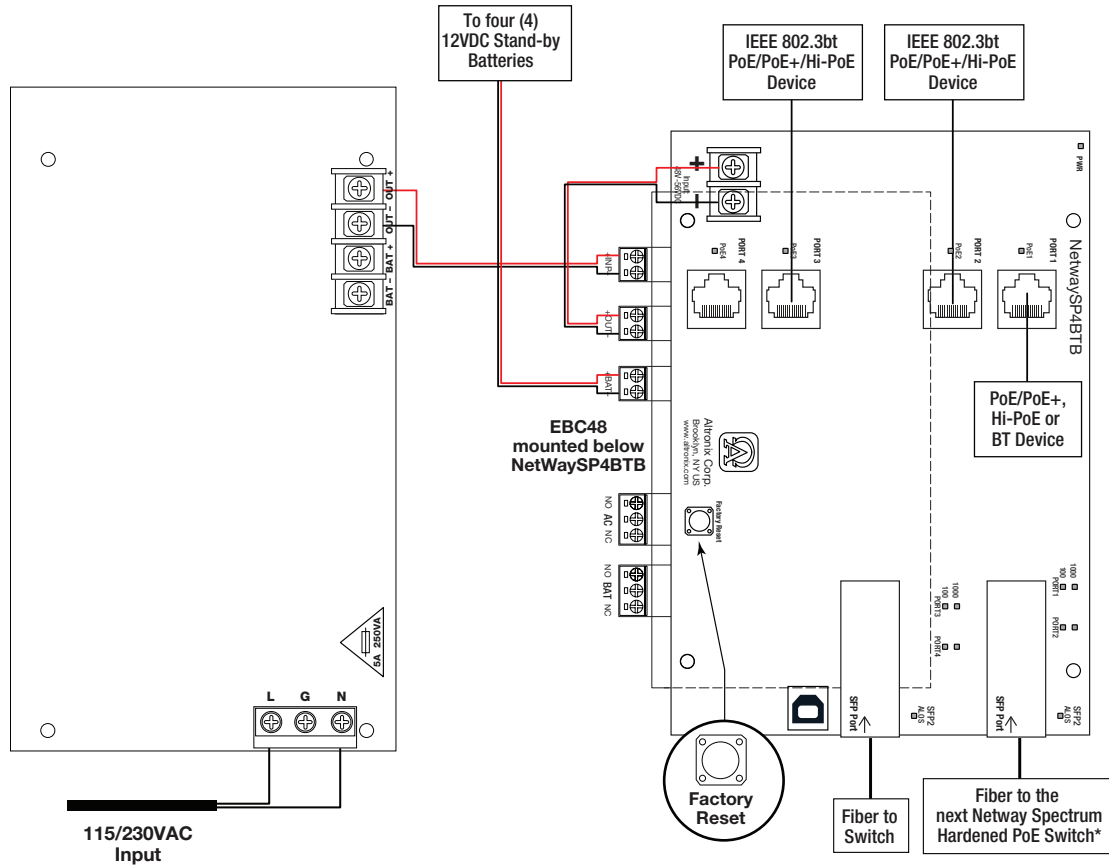
Vent2

#### Vent2 - Air Vents For NEMA4/4X Rated Enclosures

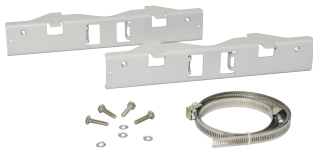
Two (2) Fiberglass, smooth matte finish vents included with hardware and template

#### Lifetime Warranty

## Typical Application



## Accessories (order separately)



### PMK2 - Pole Mount Kit

PMK2 pole mount kit is designed to simplify installation of outdoor units. It accommodates 2" - 8" (diameter) poles.



### SFP Modules - Hot pluggable Transceivers

- P1MM** Multi-Mode SFP Module for distances up to 550m.
- P1SM10** Single-Mode SFP Module for distances up to 10km.
- P1AB2K** Single Strand SFP Module for distances up to 2km.
- P1GCE** Copper SFP Module for distances up to 100m.



### NetWaySP1A - Ethernet over Fiber Media Converter/Repeater for Applications Requiring an Additional SFP (Fiber) Port

NetWaySP1A PoE powered media converter/repeater converts 10/100/1000 Mbps to Fiber (1000Base-X/SX/LX).

### Lifetime Warranty

### Specifications

#### Input

Voltage	115VAC, 60Hz, 3.5A or 230VAC, 50/60Hz, 2A
Input Fuse	5A/250V

#### Power Output

Maximum Power	Four (4) PoE ports rated at 90W each, 360W total power IEEE 802.3af (15W), IEEE 802.3at (30W), IEE 802.3bt (90W) compliant Integral surge protection
---------------	---

**SFP Ports:** Two (2) Gigabit SFP ports

**Ethernet Ports:** Four (4) 10/100/1000 Mbps ports  
Connectivity: RJ45, auto-crossover  
Wire type: 4-pair CAT5e or higher structured cable  
Speed: 10/100/1000 Mbps, half/full duplex, auto negotiation

#### Battery Charging:

Selectable 2A or 4A charging circuit  
Able to recharge 40AH or larger batteries in under 8 hours  
Low battery and battery presence supervision  
AC Fail supervision

**Failover** Upon AC loss, instantaneous  
Batteries are sold separately.  
Vent2 Ventilation Kit is included

#### Indicators (LED)

Individual PoE On LEDs for each port  
Individual IP Link status, 10/100/1000 Base-T/active LEDs for each port  
ALOS LED indicates fiber connection for SFP port  
Heartbeat LED indicates proper operation of the unit

#### VLAN:

Multiple management VLAN assignment  
802.1Q Tagged VLAN  
Up to 10 VLAN groups. ID Range 2-4095

#### LINQ Technology:

Remote network management allows for camera/device reset and diagnostic monitoring  
Provides local and/or remote access to critical information via LAN/WAN  
Email and Windows Dashboard Alert notifications report real-time events  
Event log tracks history

#### Agency Listings

CE European Conformity

#### Physical and Environmental

##### Dimensions (H x W x D)

Enclosure:	19.31" x 17.32" x 9.58" (490.4mm x 439.9mm x 243.3mm)
Shipping:	21.375" x 14.5" x 9.5" (542.9mm x 374.7mm x 241.3mm)

NEMA 4/4X, IP66-11 Rated enclosure for outdoor use  
Accommodates up to four (4) 12VDC/12AH batteries

##### Weight (approx.)

Product:	20.6 lb. (9.34 kg)
Shipping:	24.3 lb. (11.1 kg)

##### Temperature

Operating (360W):	- 30°C to 65°C (- 22°F to 149°F)
Operating (240W):	- 30°C to 70°C (- 22°F to 158°F)
Storage	- 30°C to 85°C (- 22°F to 185°F)

**Relative Humidity:** 85% +/- 5%

**BTU/Hr. (approx.):** 183 BTU/Hr.

**Operating Altitude:** - 304.8 to 2,000m

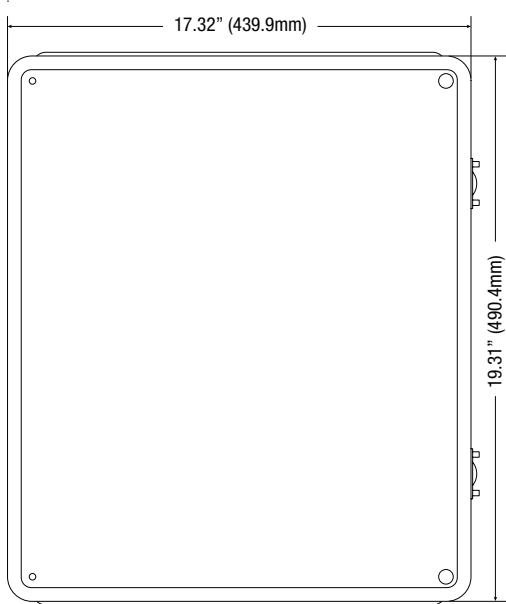
#### Lifetime Warranty

## Dimensions and Drawing

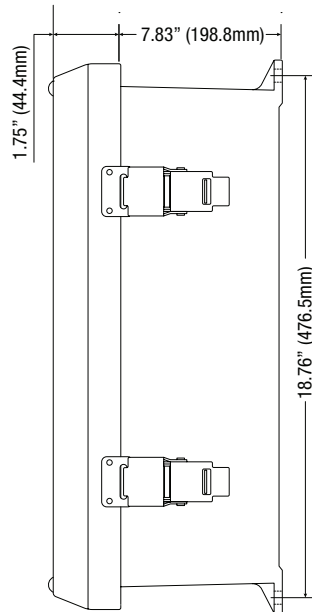
Dimensions (H x W x D approximate)

19.31" x 17.32" x 9.58" (490.4mm x 439.9mm x 243.3mm)

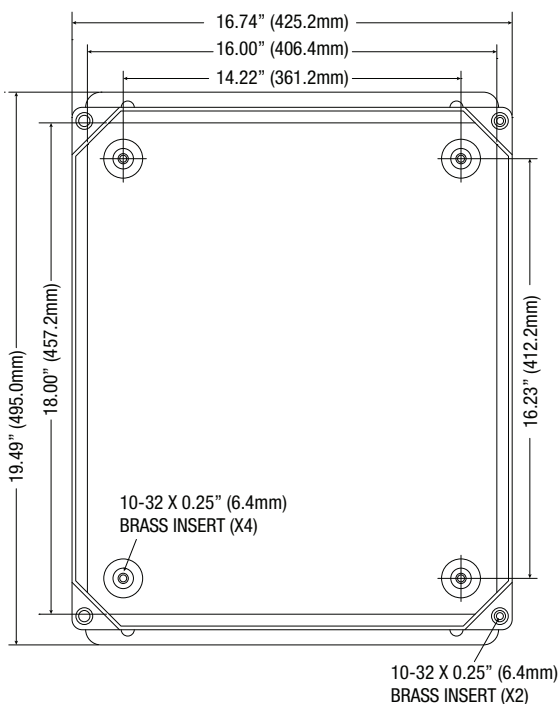
**FRONT VIEW**



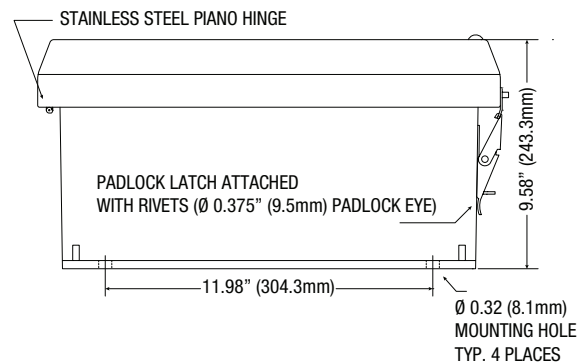
**RIGHT SIDE VIEW**



**FRONT VIEW COVER REMOVED**



**END VIEW**



### Lifetime Warranty

Altronix Corporation | 140 58th St | Brooklyn, NY 11220 USA

phone: +1 718.567.8181 | fax: +1 718.567.9056 | email: info@altronix.com | www.altronix.com