

PD8TCB

8-Output Power Distribution Module

Altronix PD8TCB power distribution module is designed to distribute a single input up to 57VDC into eight (8) PTC protected outputs.



PD8TCB

Specifications

Input

Voltage Range Up to 57VDC

Outputs

Eight (8) PTC protected outputs (auto-resettable)
 3.75A per output max.
 Total output current should not exceed max current rating of power supply employed
 PTCs are rated @ 3.75A

Indicators (LED)

DC Output Power LED

Physical and Environmental

Dimensions (L x W x H)

Board: 5.25" x 3.25" x 1" (133.4mm x 82.6mm x 25.4mm)
 Shipping: 8" x 6" x 5" (203.2mm x 152.4mm x 127mm)

Weight (approx.)

Product Weight: 0.25 lb. (0.11 kg)
 Shipping Weight: 0.3 lb. (0.14 kg)

Temperature

Operating: 0°C to 49°C (32°F to 120°F)
 Storage: -20°C to 70°C (-4° to 158°F)

Relative Humidity 85% +/- 5%

Mounting hardware is included

Lifetime Warranty

PD8TCB

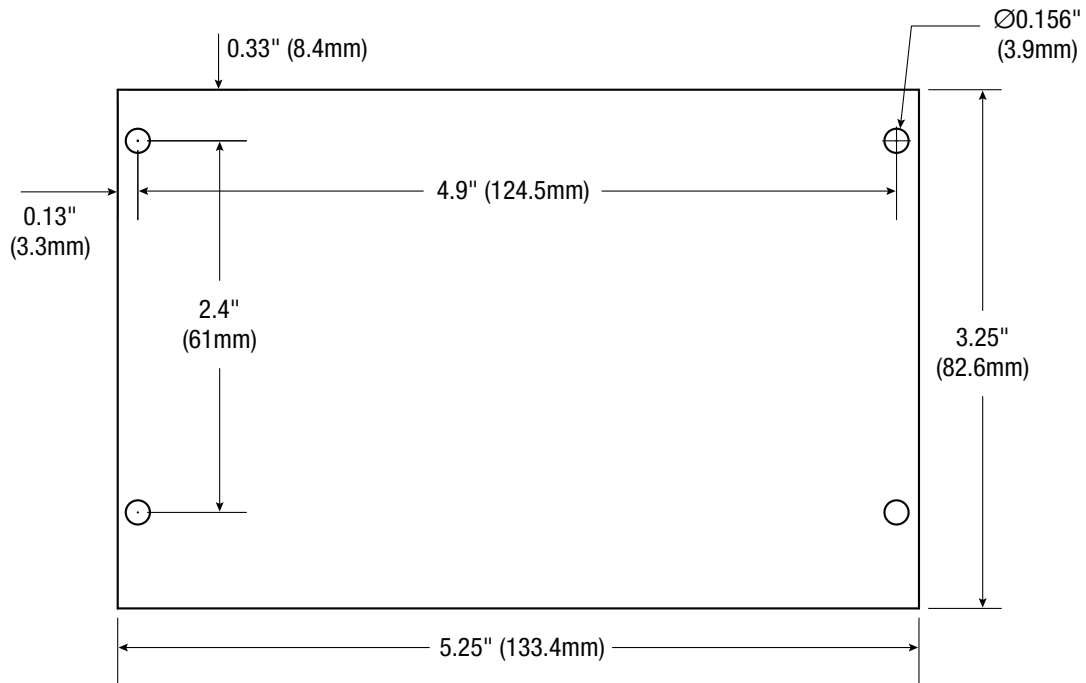
8-Output Power Distribution Module

Dimensions and Drawing

Board Dimensions (L x W x H approximate)

5.25" x 3.25" x 1" (133.4mm x 82.6mm x 25.4mm)

Mounting Holes' Tolerance: +/- 0.04 in. (1mm)

**Lifetime Warranty**

Altronix Corporation | 140 58th St | Brooklyn, NY 11220 USA

phone: +1 718.567.8181 | fax: +1 718.567.9056 | email: info@altronix.com | www.altronix.com