

Pace3KL

Three Port Single Pair 10Base-T1L, IEE802.3cg Ethernet Media Adapter/Switch



Altronix Pace3KL is a SPE (Single Pair Ethernet) 3-port T1L Media Adapter/Switch that enables connecting up to three (3) 10Base-T1L, IEE802.3cg compliant devices such as Security/Industrial/BMS/Elevators/HVAC Controllers and sensors, etc. to an Ethernet network. Long distance headend switch to remote-end device cabling can be achieved to over 1km (1,000m, 3,280 ft.). The Pace3KL can be used in a typical star configuration or as a multi-point dropoff node configuration.

In addition to new SPE (UTP) Ethernet network installations, upgrading of legacy networks, i.e. LONworks, RS485, 4-20mA Control Loops, etc. can be achieved by using the existing two wire cabling, thus saving rip-out & reinstallation costs.

Operationally, the Pace3KL is connected to a PoE midspan/endspan switch at the headend and can be powered by the PoE port or 12/24VDC power supply. Pace3KL passes network data and power from the switch via UTP up to 1km (1,000m, 3,280 ft.) to the remote T1L devices.

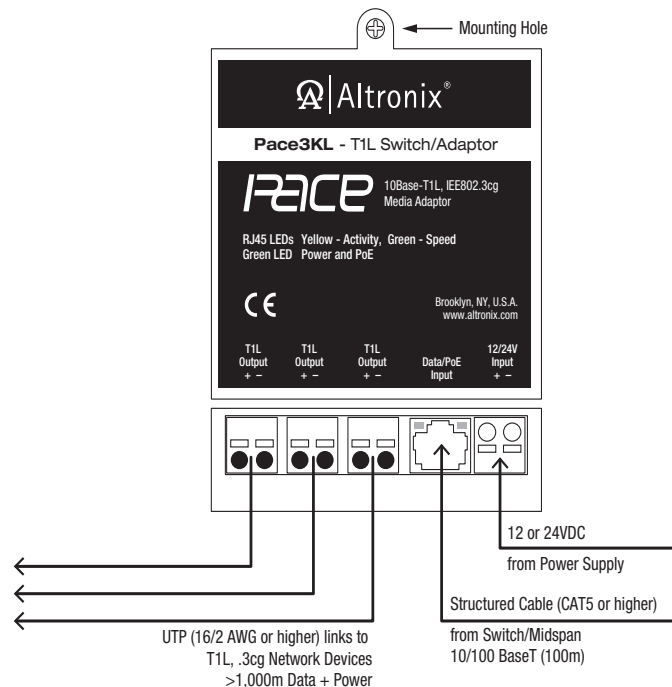


Pace3KL

Key Features

- Provides SPE (single pair Ethernet) over UTP (twisted pair) or 16/2 AWG or higher wire up to 1km (3,280 ft.)
- Utilize twisted pair for new installations or retrofit of IP devices over existing twisted pair cabling
- SPE Two Wire ports: 10Base-T1L, IEE802.3cg protocol 10Mbps
- Ethernet port: 10/100BaseT, half/full duplex, auto negotiation
- Allows for Star or Multi-Point Drop Off configuration
- Extends Network link distance in an industrial environment
- Building Automation, Surveillance & Security, BMS & HVAC, Elevators
- CE European Conformity
- Lifetime Warranty

Typical Application Diagram



Lifetime Warranty

Pace3KL

Three Port Single Pair 10Base-T1L, IEE802.3cg
Ethernet Media Adapter/Switch



Specifications

Input

- Can be powered either by
 - PoE midspan or endspan or
 - 12/24V power supply
- If both power sources are used, external 12/24V power supply will be preferred to optimize power usage

SPE (Single Pair Ethernet) over UTP or 16/2 AWG or Higher Link

- Three (3) 10Base-T1L ports
- Wire type: Twisted pair (2-wire, UTP)
- Distance: 1km (1,000m, 3,280 ft.) @ 10Mbps

Ethernet

- Connectivity: RJ45, auto-crossover
- Wire type: 4-pair CAT5e or higher
- Distance: up to 100m from midspan
- Speed: 10/100BaseT, half/full duplex, auto negotiation

Indicators (LED)

- Yellow and Green LED (by RJ45 jack):
IP Link status, 10/100Base-T/active

Agency Listings

- CE European Conformity

Physical and Environmental

- Dimensions (W x L x H)
Enclosure: 3.5" x 3.5" x 1" (88.9mm x 88.9mm x 25.4mm)
Shipping: 8" x 6" x 5" (203.2mm x 152.4mm x 127mm)

Weight (approx.)

- Product: 0.22 lb. (0.1 kg)
- Shipping: 0.4 lb. (0.18 kg)

Temperature

- Operating: -40°C to 75°C (-40° to 167°F)
- Storage: -40°C to 75°C (-40° to 167°F)

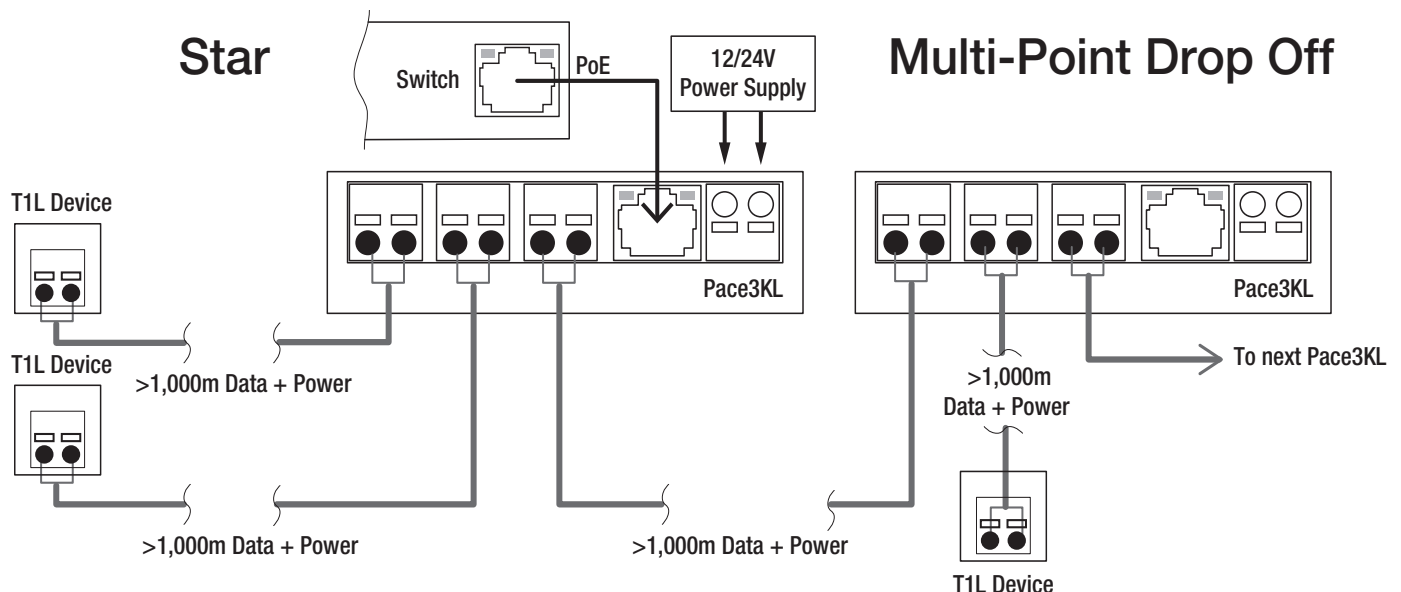
Relative Humidity

- 85% +/- 5%

Operating Altitude

- 304.8 to 2,000m

Typical Operation Diagram



Lifetime Warranty