

WP5

NEMA Rated Outdoor Power Supply/Battery Enclosure

Altronix WP5 is a UL Listed, NEMA 4/IP 66 Rated outdoor power supply/battery and accessory enclosure with a metal backplane. It can accommodate a wide variety of Altronix power supplies, sub-assemblies, and other accessories.



WP5

Specifications

Features

- Hot compression molded, halogen free, self extinguishing fiberglass reinforced polyester
- Stainless steel continuous hinge and stainless steel padlockable latches
- Integral flanges simplify wall or pole mounting
- Includes metal backplane for mounting power and accessories

Capacity

- Enclosure accommodates up to four (4) 12VDC/12AH batteries

Agency Listings

UL Listed Enclosure

CE European Conformity

Physical and Environmental

Dimensions (H x W x D)

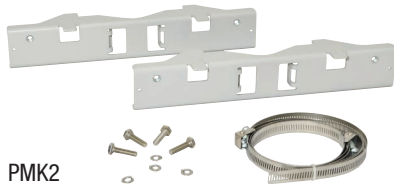
19.31" x 17.32" x 9.58" (490.4mm x 439.9mm x 243.3mm)

Weight (approx.)

Product: 18.0 lb. (8.2 kg)

Shipping: 20.5 lb. (9.3 kg)

Accessories (order separately)



PMK2

PMK2 - Pole Mount Kit

PMK2 pole mount kit is designed to simplify installation of outdoor units. It accommodates 2" - 8" (diameter) poles.

Kit includes:

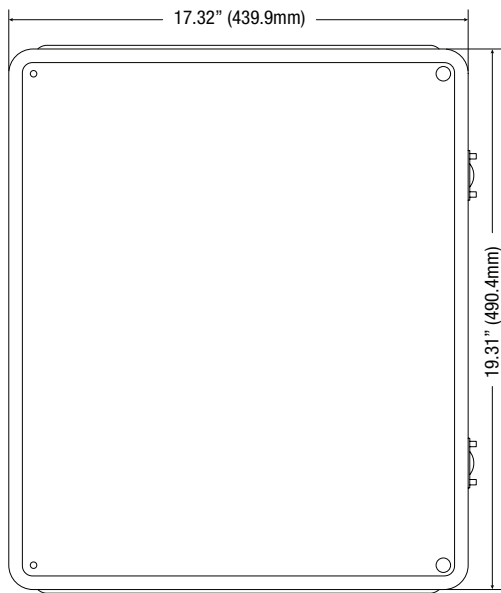
- Two (2) powder coated steel mount brackets
- Four (4) stainless steel bolts and lock washers
- Two (2) wormgear quick release straps

Dimensions and Drawing

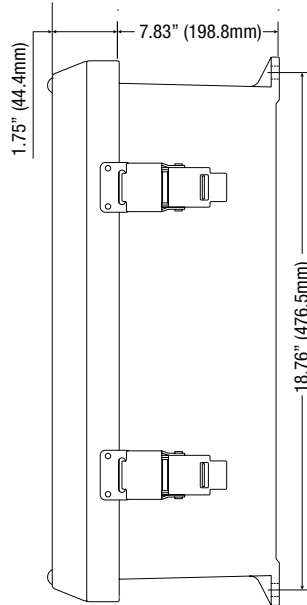
Dimensions (H x W x D approximate)

19.31" x 17.32" x 9.58" (490.4mm x 439.9mm x 243.3mm)

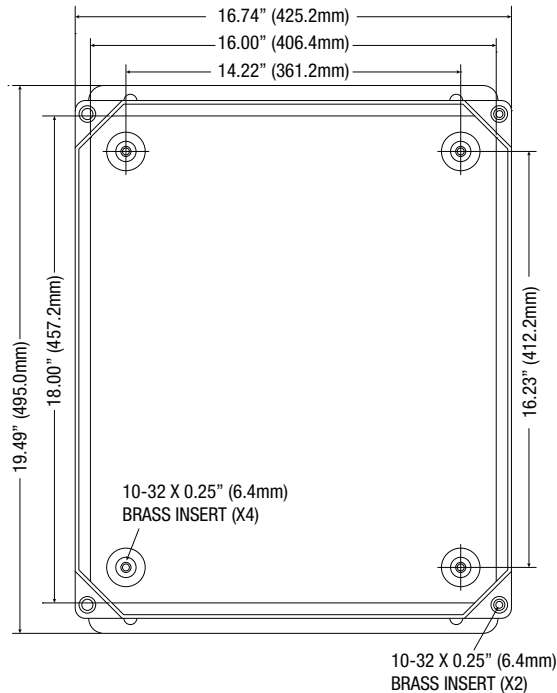
FRONT VIEW



RIGHT SIDE VIEW



FRONT VIEW COVER REMOVED



END VIEW

