



NetWay1XBT

Single Port 802.bt PoE Injector for Standard Network Infrastructure

Installation Guide

Overview:

Altronix NetWay1XBT single port 802.3bt compliant power injector provides power and passes data (e.g. video) for PoE compliant devices.

Specifications:

Agency Listings:

- CE European Conformity.

Input:

- 24VDC-56VDC (4A-2A) for total 90W power.

Output:

- Unit provides 802.3bt PoE, up to 90W max.
- Short circuit protection

Ethernet:

- Wire type: 4-pair CAT5e.



Indicators:

- PoE LED.

Features:

- Auto detection and protection of legacy non-PoE cameras/devices.
- Dry contact PoE Shutdown
- Compact insulated housing.

Dimensions (W x L x H approx.):

3.5" x 3.5" x 1" (88.89mm x 88.89mm x 25.4mm).

Installation Instructions:

Wiring methods shall be in accordance with the National Electrical Code/NFPA 70/ANSI, and with all local codes and authorities having jurisdiction. Wiring should be UL Listed and/or Recognized wire suitable for the application. Unit is intended to be used with a UL Listed Class 2 or LPS (limited power supply). NetWay1XBT is not intended to be connected to outside plant leads and should be installed indoors within the protected premises.

1. Mount NetWay1XBT in desired location utilizing the mounting hole (*Fig. 1a*). Use a proper fastener and/or wall anchor when securing NetWay1XBT with screw through its mounting hole to the wall.
2. Connect 24VDC-56VDC to the terminals marked [24VDC-56VDC Input] (*Fig. 1b*). Use 22AWG - 16AWG wire for this connection. Input power should be a Class 2 rated power supply.
3. Connect structured cable from port marked [DATA IN] on NetWay1XBT to the corresponding input of a UL Listed ethernet switch or video server (*Fig. 1b, pg. 2*).
4. Connect structured cable from port marked [POE OUT] on the NetWay1XBT to PoE device (*Fig. 1c, pg. 2*). All interconnected devices must be UL Listed.
5. PoE LED will illuminate indicating normal operation (*Fig. 1, pg. 2*).
6. PoE Shutdown can be triggered via dry contact closure.
Connect relay closure to the terminals marked [PoE Shutdown].

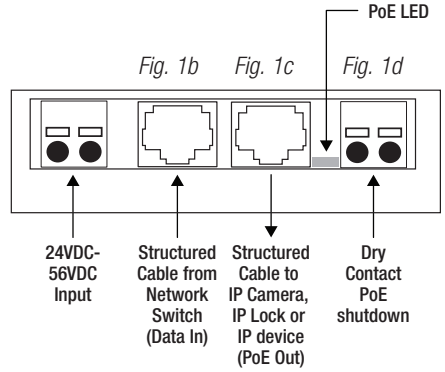
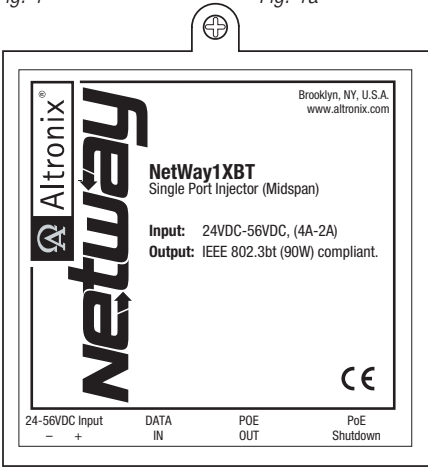
Note: Return to normal operation from shutdown can take about 4 seconds. Although there is no output voltage to power PoE devices during shutdown, data signals may still be present on the data pair lines of the CAT5e cable.

Technical Specifications:

Parameter	Description
No. of Ports	One (1)
Input power requirements	24VDC-56VDC (4A-2A) for total 90W
PoE Out LED Indicator	Steady - PoE ON / Flashing or OFF - PoE OFF
PoE Shutdown (Relay Contact)	Dry Contact Open = PoE Enabled / Dry Contact Closed = PoE Disabled
Environmental Conditions	Operating Ambient Temperature: - 30°C to 70°C (- 22°F to 158°F) Storage Temperature: - 20°C to 70°C (- 4°F to 158°F) Relative humidity: 85%, +/- 5% Operating Altitude: - 304.8 to 3,048m.
Weight (approx.)	Product: 0.25 lb. (0.11 kg) Shipping: 0.3 lb. (0.14 kg)

Fig. 1

Fig. 1a



Altronix is not responsible for any typographical errors.

140 58th Street, Brooklyn, New York 11220 USA | phone: 718-567-8181 | fax: 718-567-9056
 website: www.altronix.com | e-mail: info@altronix.com | Lifetime Warranty
 IINetWay1XBT - Rev. 010726

AO7Z

