



Power over the Ethernet

NetWay G Series

PoE Midspan Solution for
Standard Network Infrastructure

Models Include:

NetWay81G

- Eight (8) Port PoE Midspan Injector
- 240W total power

NetWay81GL

- 8-Port Hi-PoE Midspan Injector
- 240W total power

NetWay81GP

- 8-Port Hi-PoE Midspan Injector
- 480W total power

NetWay161G

- Sixteen (16) Port PoE Midspan Injector
- 480W total power

Installation Guide



More than just power.™

DOC#: NET1G Rev. 062922

Installing Company: _____ Service Rep. Name: _____

Address: _____ Phone #: _____

Table of Contents:

Overview	pg. 3
Features	pg. 3
Installation Instructions	pg. 3
Terminal Description	pg. 4
Technical Specifications	pg. 5
Installing a NetWayXTG Repeater Module	pg. 5
Port LED Definitions for NetWayXG Repeater	pg. 5
Installing a NetWayXT/NetWayXTX Repeater Module	pg. 6
Port LED Definitions for NetWayXT and NetWayXTX Repeaters	pg. 6
NetWayG Typical Applications	pg. 7
Mounting Options	pg. 8

Overview:

Altronix NetWay81G, NetWay81GL, NetWay81GP and NetWay161G Midspans provide PoE/PoE+/Hi PoE (up to 60W) power per port, and pass data at 10/100/1000 Mbps at distances up to 100m. Features also include an integral battery charger for applications requiring backup.

Features:

Agency Listings:

- CE European Conformity.

Input:

- **NetWay81G/81GL:** 115VAC, 60Hz, 3.25A or 230VAC, 50/60Hz, 2.0A.
- **NetWay81GP/161G:** 115VAC, 60Hz, 5.5A or 230VAC, 50/60Hz, 3.0A.

Power:

- Unit supplies PoE output voltage (55V).

Total power:

NetWay81G (up to 30W per port):	240W.
NetWay81GL (up to 60W per port):	240W.
NetWay81GP (up to 60W per port):	480W.
NetWay161G (up to 30W per port):	480W.

- IEEE 802.3af and IEEE 802.3at compliant (PoE/PoE+/60W).
- Short circuit protection.

Functions:

- Auto detection and protection of legacy non-PoE cameras/edge devices.

Ethernet:

- Eight (8) or sixteen (16) ports for cameras/edge devices over ethernet.
- Wire type: 4-pair CAT5e and higher.
- Speed: 10/100/1000 Mbps.

Battery Backup:

- Built-in battery charger (*optional rack mount battery enclosure - RE2*).
- Automatic switchover to stand-by battery when AC fails.

Accessories:

NetWayXT:

- PoE repeater module extends data range 100m.

NetWayXTX:

- PoE/PoE+ repeater module extends data range 100m.

NetWayXTG:

- Gigabit PoE/PoE+ repeater module extends data range 100m.

Installation Instructions:

Wiring methods shall be in accordance with the National Electrical Code (ANSI/NFPA70), local codes, and the authorities having jurisdiction.

NetWayG unit is not intended to be connected to outside plant leads.

These products are for indoor use only and must be installed within the protected premises. If battery bracket is removed, then the unit must be installed in a restricted access area (*Fig. 1b, pg. 3*).

1. Attach mounting brackets to NetWayG unit for rack or wall mount installation (*Fig. 5 or 6, pg. 8*).

Affix rubber pads to NetWayG for shelf installation (*Fig. 7, pg. 8*).

2. Secure the unit in a rack or on a wall, or place unit on a shelf as desired.

Note: The following factors should be taken into consideration when installing these rack mount units:

- a. The unit is to be installed in a space where the maximum ambient temperature does not exceed 104°F (40°C).
 - b. Take care to ensure that there is sufficient air flow around the unit and that obstructions do not impede it.
 - c. When mounting units in a rack, take care to avoid uneven loading which can cause a hazardous condition.
3. Plug the grounded AC line cord (included) into the IEC 320 connector of the NetWayG unit (*Fig. 2d, pg. 4*). Plug unit into a reliable earth grounded socket. When using multiple units, the sum of the individual name plate ratings should not exceed the supply circuit rating.

Do not connect to a receptacle controlled by a switch.

4. Connect structured cables from port marked [IN] on NetWayG to the corresponding inputs of an ethernet switch or video server (*Fig. 2b, pg. 4, Fig. 5, pg. 6*).

Note: All cabling and wire must be UL Listed and/or Recognized wire suitable for their application.

5. Connect structured cables from port marked [OUT] on NetWayG to PoE compliant camera/edge devices (*Fig. 2a, pg. 4, Fig. 5, pg. 6*).
6. When the use of stand-by batteries is required, they must be sealed lead acid or gel type. Connect four (4) 12VDC batteries in series to terminals marked [+ BAT -] (*Fig. 2e, pg. 4*), carefully observing polarity.

Note: When batteries are not used a loss of AC will result in a loss of output voltage.

Fig. 1a

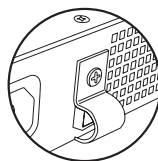


Fig. 1b

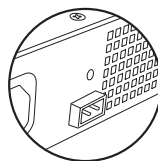
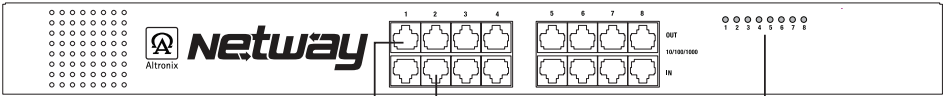


Fig. 2

NetWay81G/81GL/81GP:



NetWay81G/81GL/81GP - Front Panel

2a

2b

2c



NetWay81G/81GL/81GP - Rear Panel

2d

2e

2a OUT 1-8 (1-16): Structured cable to PoE compliant cameras/edge devices.

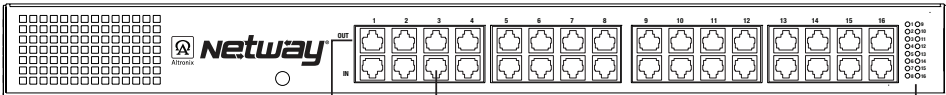
2b IN 1-8 (1-16): Structured cable to ethernet switch or video server.

2c LEDs 1-8 (1-16): Port status LEDs.

2d IEC 320 Connector: 115/230VAC (grounded line cord included).

2e Built-in battery charger: Charges stand-by batteries for applications requiring back-up
(optional rack mount battery enclosure available - RE2)

NetWay161G



NetWay161G - Front Panel

2a

2b

2c



NetWay161G - Rear Panel

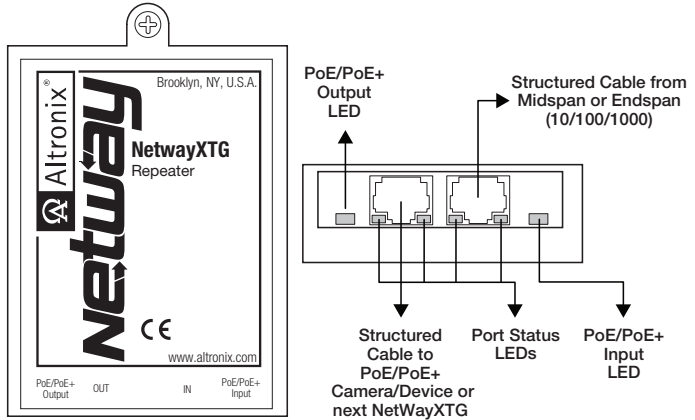
2d

2e

Technical Specifications:

Parameter	Description			
No. of Ports	NetWay81G: NetWay81GL: NetWay81GP: NetWay161G:	Eight (8) PoE/PoE+ Ports (10/100/1000 Mbps). Eight (8) PoE/PoE+/Hi-PoE Ports (10/100/1000 Mbps). Eight (8) PoE/PoE+/Hi PoE Ports (10/100/1000 Mbps). Sixteen (16) PoE/PoE+ Ports (10/100/1000 Mbps).		
Input Power Requirements	NetWay81G, NetWay81GL: NetWay81GP, NetWay161G:	115VAC, 60Hz, 3.25A or 230VAC, 50/60Hz, 2.0A. 115VAC, 60Hz, 5.5A or 230VAC, 50/60Hz, 3.0A.		
Indicators	Port Status LEDs.			
Environmental Conditions	Operating Ambient Temperature: – 20°C to 50°C (– 4°F to 122°F). Relative Humidity: 85%, +/- 5%. Storage Temperature: – 20°C to 70°C (– 4°F to 158°F). Operating Altitude: Up to 2,000m.			
Weights (approx.)	NetWay81G	NetWay81GL	NetWay81GP	NetWay161G
	Product Weight: 6.06 lb. (2.75 kg). Shipping Weight: 8.0 lb. (3.63 kg).	Product Weight: 6.06 lb. (2.75 kg). Shipping Weight: 8.0 lb. (3.63 kg).	Product Weight: 6.06 lb. (2.75 kg). Shipping Weight: 8.0 lb. (3.63 kg).	Product Weight: 6.06 lb. (2.75 kg). Shipping Weight: 8.0 lb. (3.63 kg).

Fig. 3 - NetWayXTG



Installing a NetWayXTG Repeater Module:

NetWayXTG will work with PoE/PoE+ devices.

NetWayXTG is not intended to be connected to outside plant leads.

1. Mount NetWayXTG in desired location utilizing the mounting hole (Fig. 3a, pg. 5).

Use a proper fastener and/or wall anchor when securing NetWayXTG to the wall.

2. Connect structured cable from port marked [OUT] on NetWayG to port marked [IN] on the NetWayXTG (Fig. 3b, pg. 5).

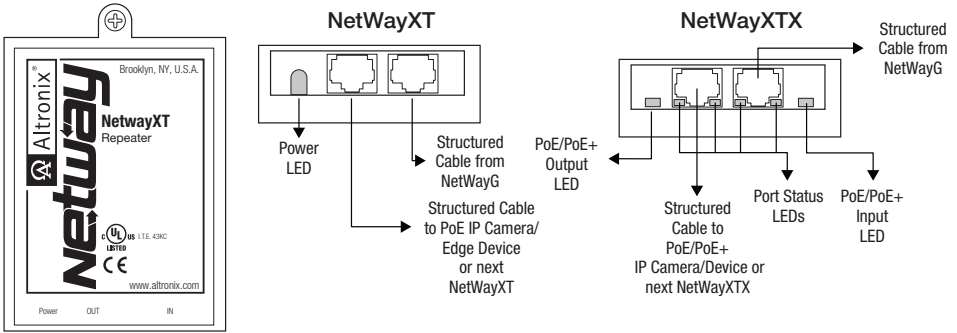
3. Connect structured cable from port marked [OUT] on NetWayXTG to the PoE camera/ device or next NetWayXTG repeater (Fig. 3b, pg. 5, Fig. 4, pg. 6).

4. Port status LEDs will illuminate on NetWayXTG indicating the port is operational (Fig. 3a, pg. 5, refer to Port LED definitions below).

Port LED Definitions for NetWayXTG Repeater:

Status	PoE/PoE+ Output LED	Green LED	Yellow LED
OFF	No PoE/PoE+ Output	Indicates no link.	Indicates no link
ON	Normal PoE/PoE+ Output	Indicates 1G link	Indicates 10/100 link
Blinking	–	Indicates 1G activity	Indicates 10/100 activity

Fig. 4 - NetWayXT/NetWayXTX



NetWayXT and NetWayXTX will work if the Midspan is set for 15W or 30W, but not 60W.

Installing a NetWayXT/NetWayXTX Repeater Module:

NetWayXT will work only with PoE devices. NetWayXTX will work with PoE/PoE+ devices.

1. Mount NetWayXT/NetWayXTX in desired location utilizing the mounting hole (Fig. 4, pg. 6). Use a proper fastener and/or wall anchor when securing NetWayXT/NetWayXTX to the wall.
2. Connect structured cable from port marked [OUT] on NetWay81GL to port marked [IN] on the NetWayXT/NetWayXTX (Fig. 4, pg. 6).
3. Connect structured cable from port marked [OUT] on NetWayXT/NetWayXTX to the PoE/PoE+ camera/edge device or next NetWayXT/NetWayXTX repeater (Fig. 4, pg. 6).
4. Port status LEDs will illuminate on NetWayXT/NetWayXTX indicating the port is operational (refer to LED Definitions, pg. 6).
5. Power LED will illuminate indicating 12VDC output.

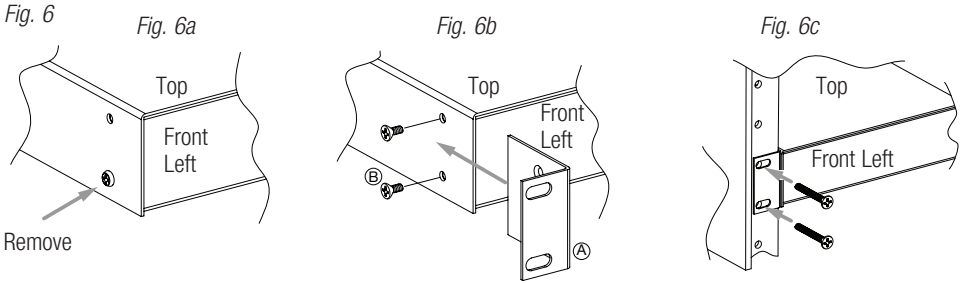
Port LED Definitions for NetWayXT and NetWayXTX Repeaters:

Status	NetWayXT		NetWayXTX		
	Green LED	Yellow LED	PoE/PoE+ Output LED	PoE/PoE+ Input LED	Yellow LED
OFF	Indicates it is connected as 10Base-T or no link.	Indicates no link.	No PoE/PoE+ Output	No PoE/PoE+ Input	Indicates no link.
ON	Indicates it is connected as 100Base-TX.	Indicates a link.	Normal PoE/PoE+ Output	PoE/PoE+ Input	Indicates a link.
Blinking	—	Indicates activity.	—	—	Indicates activity.

Mounting Options:

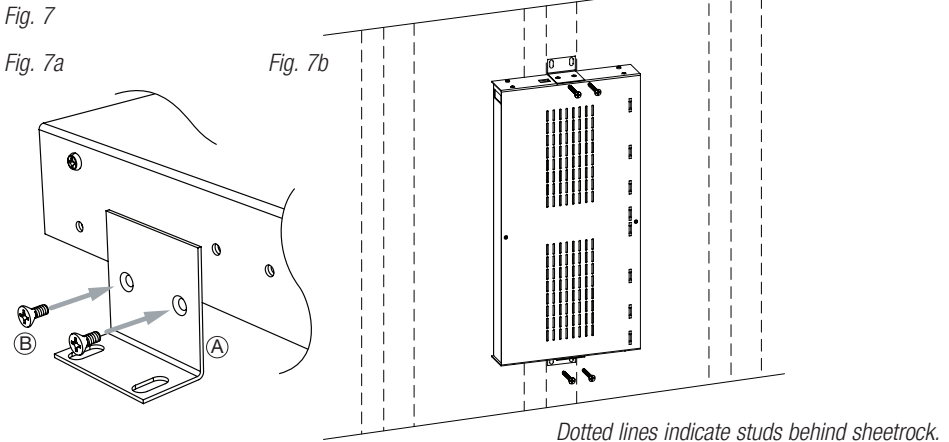
Rack Mount Installation

1. Remove and discard factory installed screws from both sides of rack chassis (Fig. 6a).
2. Install mounting brackets (A) on the left and right side of rack chassis using the four (4) flat head screws (B) (included) (Fig. 6b).
3. Place unit into desired EIA 19" rack position and secure with mounting screws (not included) (Fig. 6c).



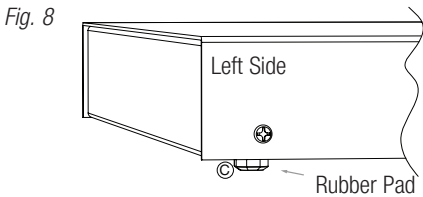
Wall Mount Installation

1. Install mounting brackets (A) on the left and right side of rack chassis using four (4) flat head screws (B) (included) (Fig. 7a).
 2. Place unit at desired location and secure with #6 size screws or larger (not included) (Fig. 7b).
- Caution:** It is necessary to make sure mounting screws are securely fastened to a beam when installing the unit vertically.

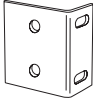




Shelf Installation

1. Position and affix rubber pads (C) (included) at each corner on the bottom of the unit (Fig. 8).
2. Place unit in desired location.



Mounting Hardware (Included):

-  (A) Two (2) mounting brackets
-  (B) Six (6) flat head screws for mounting brackets.
-  (C) Four (4) rubber pads.

Altronix is not responsible for any typographical errors.

140 58th Street, Brooklyn, New York 11220 USA | phone: 718-567-8181 | fax: 718-567-9056
 website: www.altronix.com | e-mail: info@altronix.com | Lifetime Warranty
 IINetWayG1 F29V

