

# PACE

Long Distance Ethernet Solution

## Pace3KLC

- Three Port Single Pair Ethernet Media Adapter/Switch
- IEEE 802.3cg Ethernet, 10Base-T1L SPE over UTP

## Installation Guide



Rev. 101625



More than just power.™

Installing Company: \_\_\_\_\_ Service Rep. Name: \_\_\_\_\_

Address: \_\_\_\_\_ Phone #: \_\_\_\_\_

## Overview:

Altronix Pace3KLC is a SPE (Single Pair Ethernet) 3-port T1L Media Adapter/Switch that enables connecting up to three (3) 10Base-T1L, IEEE802.3cg compliant devices such as Security/Industrial/BMS/Elevators/HVAC Controllers and sensors, etc. to an Ethernet network. Long distance headend switch to remote-end device cabling can be achieved to over 1km (1,000m, 3,280 ft.). The Pace3KLC can be used in a typical star configuration or as a multi-point dropoff node configuration.

In addition to new SPE (UTP) Ethernet network installations, upgrading of legacy networks, i.e. LONworks, RS485, 4-20mA Control Loops, etc. can be achieved by using the existing two wire cabling, thus saving rip-out & reinstallation costs.

Operationally, the Pace3KLC can be powered via 12/24 AC or DC power supply, passes data via UTP up to 1km (1,000m, 3,280 ft.) to the remote T1L devices.

## Features:

### Agency Listings:

- CE European Conformity.

### Input:

- Can be powered either by 12/24VAC or 12/24VDC power supply (1.25W; 105mA @ 12V, 51mA @ 24V).

### SPE (Single Pair Ethernet) Connection:

- Three (3) 10Base-T1L ports.
- Wire type: twisted pair (2-wire, UTP, 16/2 AWG or higher).
- Speed: 10Mbps
- Distance: 1km (1,000m, 3,280 ft.).

### Ethernet Connection:

- Connectivity: RJ45, auto-crossover.
- Wire type: 4-pair CAT5e or higher.
- Distance: up to 100m from midspan.
- Speed: 10/100BaseT, half/full duplex, auto negotiation.

### LED Indicators:

- **Yellow and Green LED (RJ45 jack):**  
IP Link status, 10/100Base-T/active.

### Environmental:

- Operating and storage temperature:  
– 40°C to 75°C (– 40°F to 167°F).
- Relative humidity:  
20 to 85%, non-condensing.

### Applications:

- Upgrade LONworks, RS485, 4-20mA control loops to Ethernet over existing wire pair.
- Industrial infrastructure control and remote sensor over extended 1,000m distances.
- Building Automation, Surveillance & Security, BMS & HVAC, Elevators.
- Utilize twisted pair for new installations or retrofit of IP devices over existing twisted pair cabling.

### Mechanical:

- Dimensions (W x L x H approx.):  
3.5" x 3.5" x 1" (88.9mm x 88.9mm x 25.4mm).

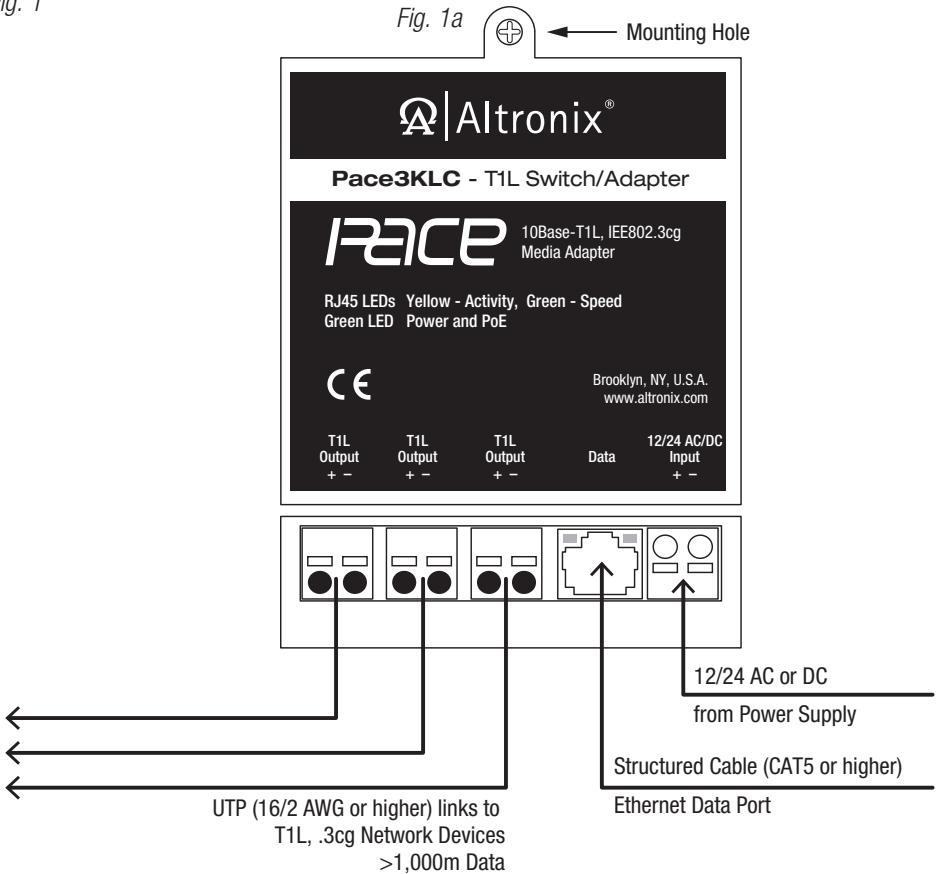
## Installation Instructions:

Wiring methods shall be in accordance with the National Electrical Code/NFPA 70/ANSI, and with all local codes and authorities having jurisdiction. Wiring should be UL Listed and/or Recognized wire suitable for the application.

Pace3KLC is not intended to be connected to outside plant leads and should be installed indoors within the protected premises. It is intended for indoor use only.

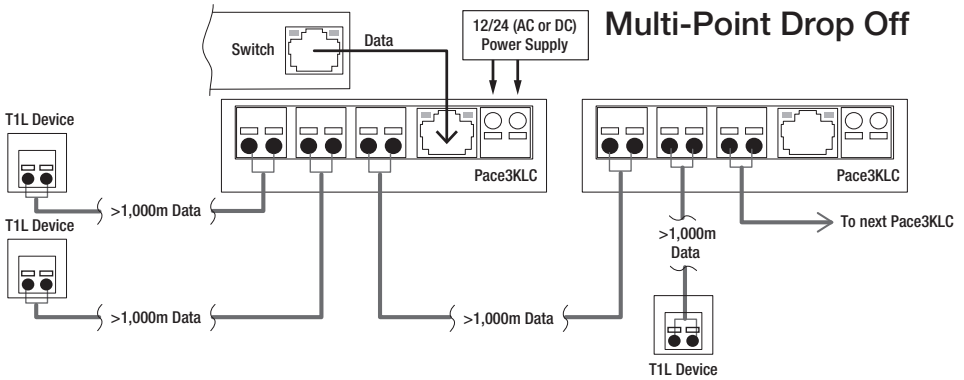
1. Secure Pace3KLC to the desired mounting surface with a proper fastening device utilizing the unit's mounting hole (Fig. 1a, pg. 3). Unit should be mounted in proximity to ethernet switch/network.
2. Connect structured cable from ethernet midspan or endspan device to RJ45 jack marked [Data] (Fig. 1, pg. 3, Fig. 2, pg. 4).
3. Connect 12/24VDC power supply to connector marked [12/24 AC/DC Input +, -], carefully observing polarity.
4. Connect UTP to connectors marked [T1L Output] (Fig. 1, pg. 3, Fig. 2, pg. 4).

Fig. 1



## Typical Application:

Fig. 2



## Technical Specifications:

Parameter	Description
<b>Connections</b>	RJ45 for CAT5/6 or higher ethernet link. UTP (2-wire) screw terminals for 10Base-T1L, IEEE 802.3cg compliant devices connection.
<b>Input power requirements</b>	12/24VAC or 12/24VDC power supply (1.25W; 105mA @ 12V, 51mA @ 24V).
<b>Indicators</b>	<b>Yellow (RJ45 connector):</b> On - Link, Off - No Link, Blinking - Activity. <b>Green (RJ45 connector):</b> On - 100Base-TX, Off - 10Base-T.
<b>Environmental Conditions</b>	<b>Operating Ambient Temperature:</b> - 40°C to 75°C (- 40°F to 167°F). <b>Storage Temperature:</b> - 40°C to 75°C (- 40°F to 167°F). <b>Relative Humidity:</b> 20 to 85%, non-condensing. <b>Operating Altitude:</b> - 304.8 to 2,000m.
<b>Regulatory Compliance</b>	CE European Conformity.
<b>Weights (approx.)</b>	Product: 0.22 lb. (0.1 kg)   Shipping: 0.4 lb. (0.18 kg)

Altronix is not responsible for any typographical errors.

140 58th Street, Brooklyn, New York 11220 USA | phone: 718-567-8181 | fax: 718-567-9056  
website: www.altronix.com | e-mail: info@altronix.com | Lifetime Warranty  
IIPace3KLC J16Y

