



Tango8A Series

Access Power Controllers with
PoE Driven Power Supply

Models Include:

Tango8A

- 12VDC and/or 24VDC selectable by output @ 65W max.
- Eight (8) fuse protected outputs
- Eight (8) selectable Fail Safe, Fail-Secure or Form "C" dry outputs
- Fire Alarm Disconnect selectable by output
- Built-in Lithium Iron Phosphate Battery Charger

Tango8ACB

- 12VDC and/or 24VDC selectable by output @ 65W max.
- Eight (8) Class 2 power-limited PTC protected outputs
- Eight (8) selectable Fail Safe, Fail-Secure or Form "C" dry outputs
- Fire Alarm Disconnect selectable by output
- Built-in Lithium Iron Phosphate Battery Charger

Installation Guide



More than just power.™

Rev. TANGO8A-083019

Installing Company: _____ Service Rep. Name: _____

Address: _____ Phone #: _____

Overview:

Altronix Tango8A(CB) PoE Driven Power Supply with Access Power Controller converts an IEEE802.3bt PoE input into eight (8) regulated 24VDC and/or 12VDC outputs up to 65W. It eliminates the need for a high voltage inside of an enclosure. Tango8A(CB) is designed to support a single 12VDC LiFePO₄ (**Lithium Iron Phosphate**) battery for 12VDC and 24VDC backup.

Specifications:

Inputs:

Tango1B:

- 802.3bt PoE up to 90W or 802.3at up to 30W or 802.3af up to 15W.

ACMS8/ACMS8CB:

- Eight (8) trigger inputs:
 - a) Normally open (NO) inputs (dry contacts).
 - b) Normally closed (NC) inputs (dry contacts).
 - c) Open collector sink inputs.
 - d) Wet Input (5VDC - 24VDC) with 10K resistor
 - e) Any combination of the above.

Outputs:

Tango1B:

- 12VDC up to 5.4A (65W) and/or 24VDC up to 2.7A (65W). Combined output not to exceed 65W.
- **When charging batteries:**
12VDC up to 4.6A (55W) and/or 24VDC up to 2.3A (55W). Combined output not to exceed 55W.

ACMS8:

- Fuse protected outputs rated @ 2.5A per output, non power-limited. Total output 20A max.
Do not exceed the individual power supply ratings. See **Input/Output Voltage Ratings**, pg. 6.

ACMS8CB:

- PTC protected outputs rated @ 2A per output, Class 2 power-limited. Total output 16A max.
Do not exceed the individual power supply ratings. See **Input/Output Voltage Ratings**, pg. 6.
Total output current should not exceed max. current rating of the power supplies employed on each input.
See **Maximum Output of Altronix Power Supplies**.
- Eight (8) selectable independently controlled outputs or eight (8) independently controlled Form "C" relay outputs (see below for ratings):
 - a) Fail-Safe and/or Fail-Secure power outputs.
 - b) Form "C" relays rated @ 2.5A, 5, 12, 24VDC, 0.6 Power Factor.
 - c) Auxiliary power outputs (unswitched).
 - d) Any combination of the above.
- Individual outputs may be set to OFF position for servicing (output jumper set to middle position).
Does not apply to Dry Contact applications.
- Any of the eight (8) fuse/PTC protected power outputs are selectable to follow power Input 1 or Input 2.
Output voltage of each output is the same as the input voltage of the input selected.
See **Input/Output Voltage Ratings**, pg. 6.
- Surge suppression.

Fuse/PTC Ratings:

ACMS8:

- Input fuses are rated 15A/32V each, output fuses are rated 3A/32V.

ACMS8CB:

- Input PTCs are rated 9A each, output PTCs are rated 2A.

- **TANGO1B:** battery fuse is rated 10A/32V.

Ethernet Output (Tango1B):

- Pass-through Ethernet Port (data only).
- 100/1G.

Battery (Tango1B):

- 12VDC battery charger for Lithium Iron Phosphate Battery (LiFePO₄ only).
- Unique technology allows for single battery to backup 12VDC and/or 24VDC systems.
- Low power shutdown. Shuts down DC output terminals if battery voltage drops below 80% of nominal.
Prevents deep battery discharge.

Specifications (cont'd):

Supervision (Tango1B):

- Loss of PoE Input.
- Battery Supervision.

Fire Alarm Disconnect:

- Fire Alarm disconnect (latching or non-latching) is individually selectable for any or all of the eight (8) outputs. Fire Alarm disconnect input options:
 - a) Normally open [NO] or normally closed [NC] dry contact input. Polarity reversal input from FACP signaling circuit.
- FACP input WET is rated 5-30VDC 7mA.
- FACP input EOL requires 10K end of line resistor.
- FACP output relay [NC]: Either Dry 1A/28VDC, 0.6 Power Factor or 10K resistance with [EOL JMP] intact.

Visual Indicators:

- **Tango1B**
 - Input indicates input voltage is present.
 - Battery status indicates battery trouble condition.
 - PoE Class indicator.
 - Supervision PoE Fail or BAT Fail.
- **ACMS8(CB)**
 - Red LEDs indicate outputs are triggered.
 - Blue LED indicates FACP disconnect is triggered.
 - Individual voltage LED indicates 12VDC (Green) or 24VDC (Red).

Environmental:

- Operating temperature: 0°C to 49°C ambient.
- Humidity: 20 to 85%, non-condensing.

Enclosure Dimensions (approximate H x W x D):

15.5" x 12.25" x 4.5" (394mm x 311mm x 114mm).

Accessories:

Power Sourcing Equipment

NetWay1BT - Single Port Managed Hi-PoE Injector supplies 90W total power.

NetWaySP1BT - 802.3bt Media Converter/Injector supplies 90W total power.

NetWay4BT - 4-Port Managed Hi-PoE Midspan Injector supplies 480W total power.

NetWay8BT - 8-Port Managed Hi-PoE Midspan Injector supplies 480W total power.

Stand-by Specifications:

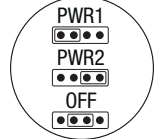
Battery	Access Control Applications Stand-by
4AH	30 Mins.
7AH	45 Mins.
12AH	1.5 Hours

Installation Instructions:

Wiring methods shall be in accordance with the National Electrical Code/NFPA 70/NFPA 72/ANSI, the Canadian Electrical Code and with all local codes and authorities having jurisdiction. Product is intended for indoor use only.

1. Mount unit in desired location. Mark and predrill holes in the wall to line up with the top two keyholes in the enclosure. Install two upper fasteners and screws in the wall with the screw heads protruding. Place the enclosure's upper keyholes over the two upper screws, level and secure. Mark the position of the lower two holes. Remove the enclosure. Drill the lower holes and install the two fasteners. Place the enclosure's upper keyholes over the two upper screws. Install the two lower screws and make sure to tighten all screws (*Enclosure Dimensions, pg. 8*). Secure enclosure to earth ground.
2. Ensure all output jumpers [PWR1] - [PWR8] are placed in the OFF (center) position (*Fig. 1, pg. 3*).
3. Connect IEEE802.3bt PSE to RJ45 Jack marked PoE+ Data Input on the Tango1B board (*Fig. 4, pg. 5*). If Data pass-through is required, connect another IEEE802.3bt PSE to RJ45 Jack marked [Data Output] (*Fig. 4, pg. 5*).

Fig. 1



CAUTION: Do not touch exposed metal parts.

There are no user serviceable parts inside. Refer installation and servicing to qualified service personnel.

4. Set each output [OUT1] - [OUT8] to route power from Input 1 or 2 (*Fig. 1, pg. 3*).
Note: Measure output voltage before connecting devices. This helps avoiding potential damage.
5. Turn power off before connecting devices.
6. Output options: Tango8A(CB) will provide up to eight (8) switched power outputs or eight (8) dry form "C" outputs, or any combination of both switched power and form "C" outputs, plus eight (8) unswitched auxiliary power outputs.

Switched Power outputs:

Connect the negative (-) input of the device being powered to the terminal marked [COM].

- For Fail-Safe operation connect the positive (+) input of the device being powered to the terminal marked [NC].
- For Fail-Secure operation connect the positive (+) input of the device being powered to the terminal marked [NO].

Form "C" outputs:

When form "C" outputs are desired, the corresponding jumper (1-8) must be placed in the OFF position (*Fig. 1, pg. 3*). Alternatively, the corresponding output fuse (1-8) can be removed (Tango8A only).

Connect negative (-) of the power supply directly to the locking device.

Connect the positive (+) of the power supply to the terminal marked [C].

- For Fail-Safe operation connect the positive (+) of the device being powered to the terminal marked [NC].
 - For Fail-Secure operation connect the positive (+) of the device being powered to the terminal marked [NO].
- Dry contacts rated @ 2.5A, 28VDC.

Auxiliary Power outputs (unswitched):

Connect positive (+) input of the device being powered to the terminal marked [C] and the negative (-) of the device being powered to the terminal marked [COM]. Output can be used to provide power for card readers, keypads etc.

7. Turn main power on after all devices are connected.
8. **Input Trigger options:**
Note: If Fire Alarm disconnect is not used, connect a 10K ohm resistor to terminals marked [GND and EOL], plus connect a jumper to terminals marked [GND, RST].

Normally Open (NO) Input:

Slide input control logic DIP switch into the OFF position for [Switch 1-8]

(*Fig. 2, on right*). Connect your wires to terminals marked [+ INP1 -] to [+ INP8 -].

Normally Closed (NC) Input:

Slide input control logic DIP switch into the ON position for [Switch 1-8] (*Fig. 2, on right*).

Connect your wires to terminals marked [+ INP1 -] to [+ INP8 -].

Open Collector Sink Input:

Connect the open collector sink input to the terminal marked [+ INP1 -] to [+ INP8 -].

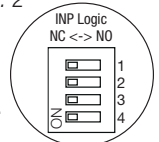
Wet (Voltage) Input Configuration:

Carefully observing polarity, connect the voltage input trigger wires and the supplied 10K resistor to terminals marked [+ INP1 -] to [+ INP8 -].

If applying voltage to trigger input - set the corresponding INP Logic switch to the "OFF" position

If removing voltage to trigger input - set the corresponding INP Logic switch to the "ON" position.

Fig. 2



9. **Fire Alarm Interface options:**

A normally closed [NC], normally open [NO] input or polarity reversal input from FACP signaling circuit will trigger selected outputs. To enable FACP Disconnect for an output turn the corresponding DIP switch [SW1-SW8] ON.

To disable FACP disconnect for an output turn the corresponding DIP switch [SW1-SW8] OFF. Switch is located directly to the left of the Fire Alarm Interface Terminals.

Normally Open Input:

Wire your FACP relay and 10K resistor in parallel on terminals marked [GND] and [EOL].

Normally Closed Input:

Wire your FACP relay and 10K resistor in series on terminals marked [GND] and [EOL].

FACP Signaling Circuit Input Trigger:

Connect the positive (+) and negative (-) from the FACP signaling circuit output to the terminals marked [+ FACP -]. Connect the FACP EOL to the terminals marked [+ RET -] (polarity is referenced in an alarm condition).

Non-Latching Fire Alarm Disconnect:

Connect a jumper to the terminals marked [GND, RST].

Latching Fire Alarm Disconnect:

Connect a NO normally open reset switch to terminals marked [GND, RST].

10. **FACP Dry NC output:**

Connect desired device to be triggered by the unit's dry contact output to the terminals marked [NC] and [C]. When [EOL JMP] is kept intact, the output is of 0 Ohm resistance in a normal condition.

When [EOL JMP] is clipped, a 10k resistance will be passed to next device when in a normal condition.

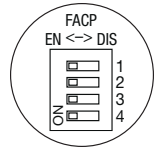
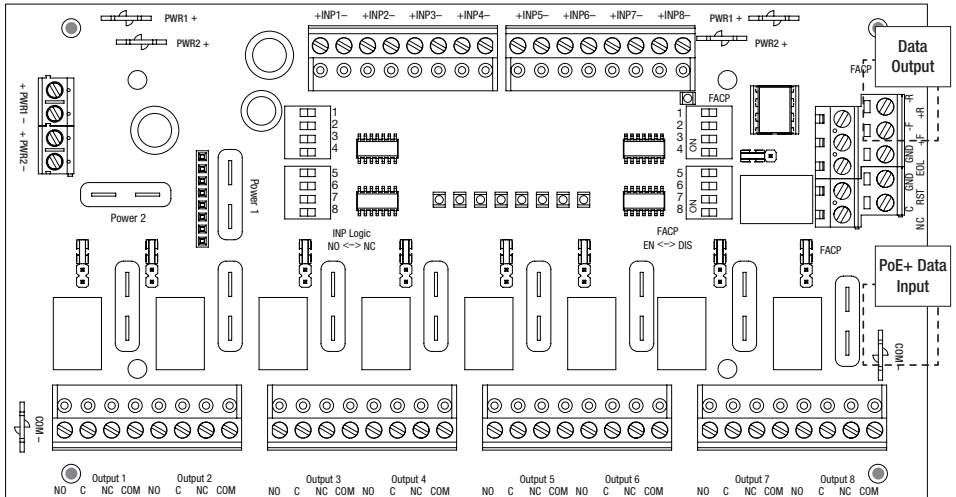


Fig. 4 - ACMS8



Wiring:

Use 18 AWG or larger for all low voltage power connections.

LED Diagnostics:

Tango1B

LED	ON	BLINKING
Input	Input voltage is present.	Input voltage not present.
Battery	Normal operating condition.	Battery is low or missing.
PoE	Indicates Class.	Refer to table below Classes 3-8
Supervision	PoE Fail or BAT Fail.	NC dry contact 30V 1A (not an LED)

Class	Green	Red	Blue
Class 1	–	–	–
Class 2	–	–	–
Class 3	Off	Off	Off
Class 4	Off	On	Off

Class	Green	Red	Blue
Class 5	On	Off	On
Class 6	On	Off	On
Class 7	On	On	On
Class 8	On	On	On

ACMS8 and ACMS8CB Access Power Controller

LED	ON	OFF
LED 1- LED 8 (Red)	Output relay(s) de-energized.	Output relay(s) energized.
FACP	FACP input triggered (alarm condition).	FACP normal (non-alarm condition).
Green Output 1-8	12VDC	–
Red Output 1-8	24VDC	–

Terminal Identification:

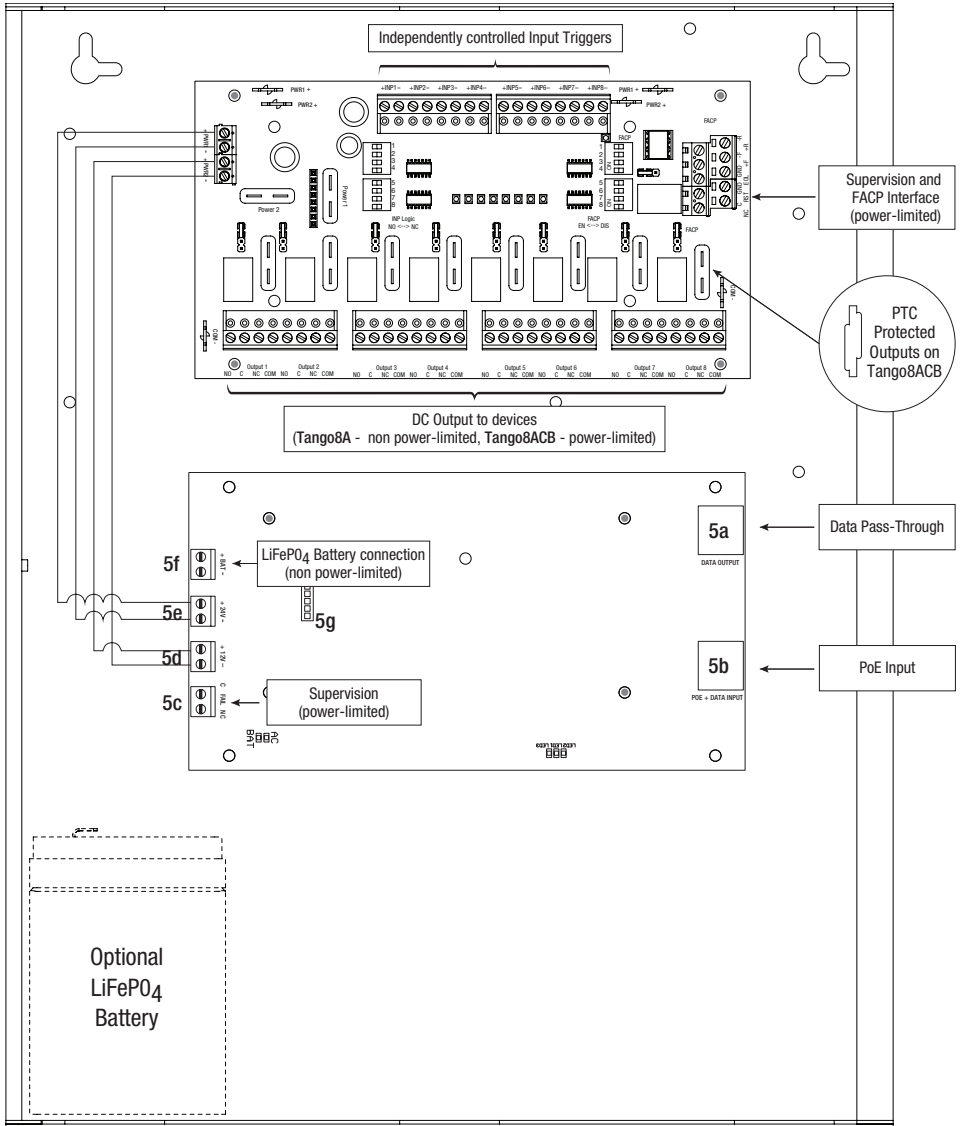
Tango1B

Terminal/RJ45 Legend	Function/Description
PoE+ Data Input	IEEE802.3bt Input (<i>Fig. 5b, pg. 7</i>).
Data Output	Passes Data to Switch (<i>Fig. 5a, pg. 7</i>)
C FAIL NC	Power and Battery Fail (<i>Fig. 5c, pg. 7</i>).
+ 12V –	12VDC output (<i>Fig. 5d, pg. 7</i>).
+ 24V –	24VDC output (<i>Fig. 5e, pg. 7</i>).
+ BAT –	Lithium Iron Phosphate battery backup (<i>Fig. 5f, pg. 7</i>).
8-Pin Connector (<i>Fig. 5g, pg. 7</i>)	Factory connected to ACMS8(CB).

ACMS8 and ACMS8CB Access Power Controller

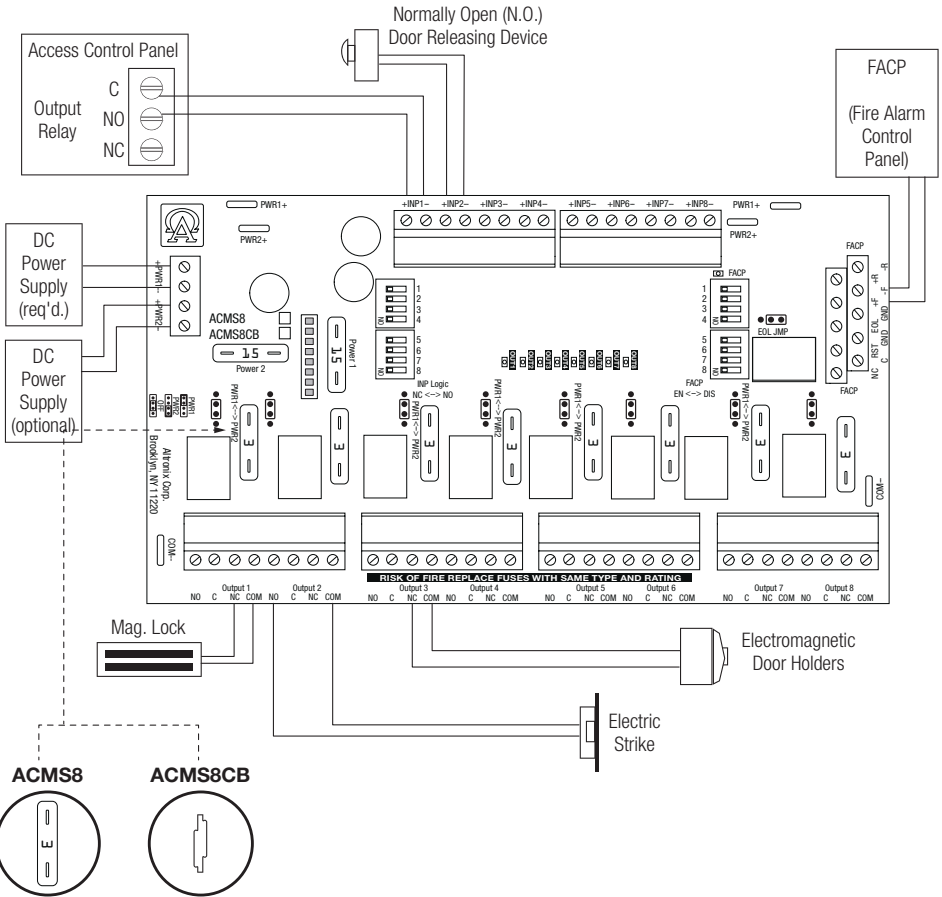
Terminal Legend	Function/Description
+ PWR1 –	Factory connected to Tango1B. Do not use these terminals.
+ PWR2 –	Factory connected to Tango1B. Do not use these terminals.
+ INP1 – through + INP8 –	Eight (8) independently controlled Normally Open (NO), Normally Closed (NC), Open Collector Sink or Wet Input Triggers.
C, NC	FACP Dry NC output rated 1A/28VDC @ 0.6 Power Factor. Class 2 power-limited. With EOL JMP intact, will provide 10k resistance in a normal state.
GND, RST	FACP interface latching or non-latching. NO dry input. Class 2 power-limited. To be shorted for non-latching FACP interface or Latch FACP reset.
GND, EOL	EOL Supervised FACP Input terminals for polarity reversal FACP function. Class 2 power-limited.
– F, + F, – R, + R	FACP Signaling Circuit Input and Return terminals. Class 2 power-limited.
Output 1 through Output 8 NO, C, NC, COM	Eight (8) selectable independently controlled outputs [Fail-Safe (NC) or Fail-Secure (NO)] and eight (8) independently controlled Form “C” Relay outputs.

Fig. 5 - Tango8A(CB)



Typical Application Diagram:

Fig. 6



Hook-Up Diagrams:

Fig. 7 - Daisy-chaining one or more ACMS8 units.

EOL Jumper [EOL JMP] should be installed in the EOL position. **Non-Latching.**

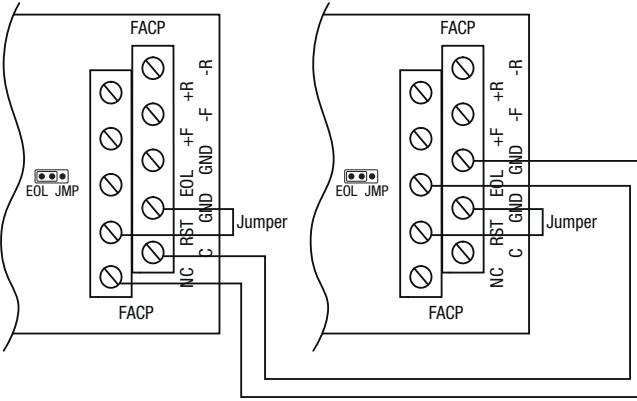


Fig. 8 - Daisy-chaining one or more ACMS8 units.

EOL Jumper [EOL JMP] should be installed in the EOL position. **Latching Single Reset.**

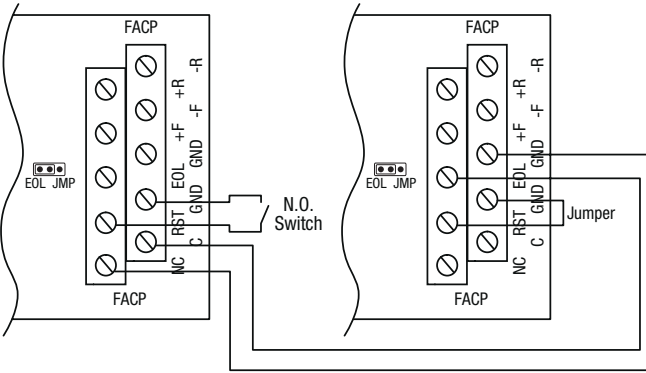
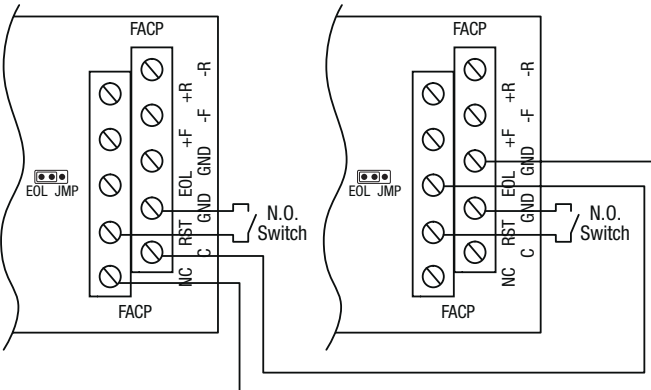


Fig. 9 - Daisy chaining one or more ACMS8 units.

EOL Jumper [EOL JMP] should be installed in the EOL position. **Latching Individual Reset.**



Hook-Up Diagrams:

Fig. 10 - Polarity reversal input from FACP signaling circuit output (polarity is referenced in alarm condition).
Non-Latching.

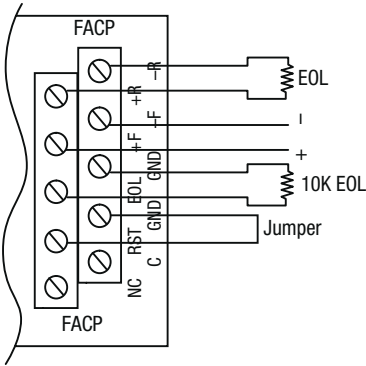


Fig. 11 - Polarity reversal input from FACP signaling circuit output (polarity is referenced in alarm condition).
Latching.

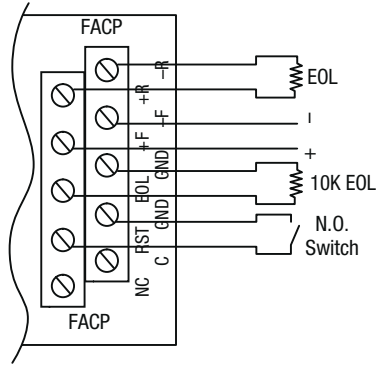


Fig. 12 - Normally Closed trigger input (Non-Latching).

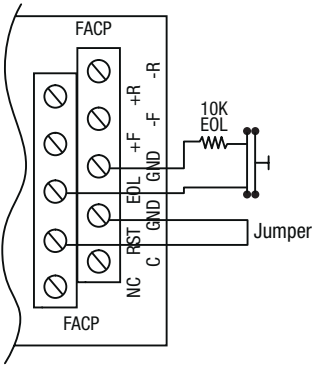


Fig. 13 - Normally Closed trigger input (Latching).

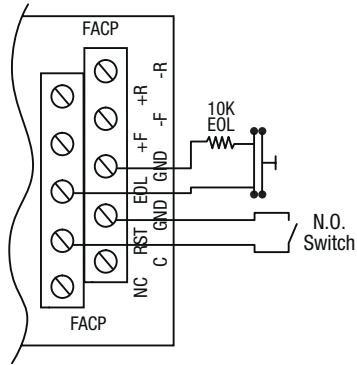


Fig. 14 - Normally Open trigger input (Non-Latching).

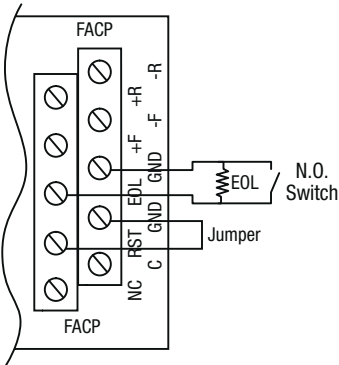
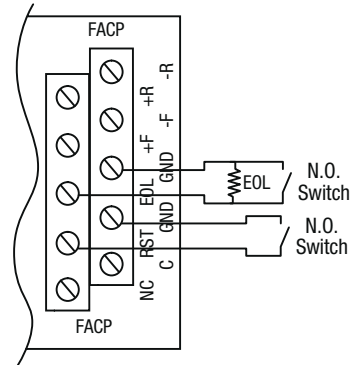


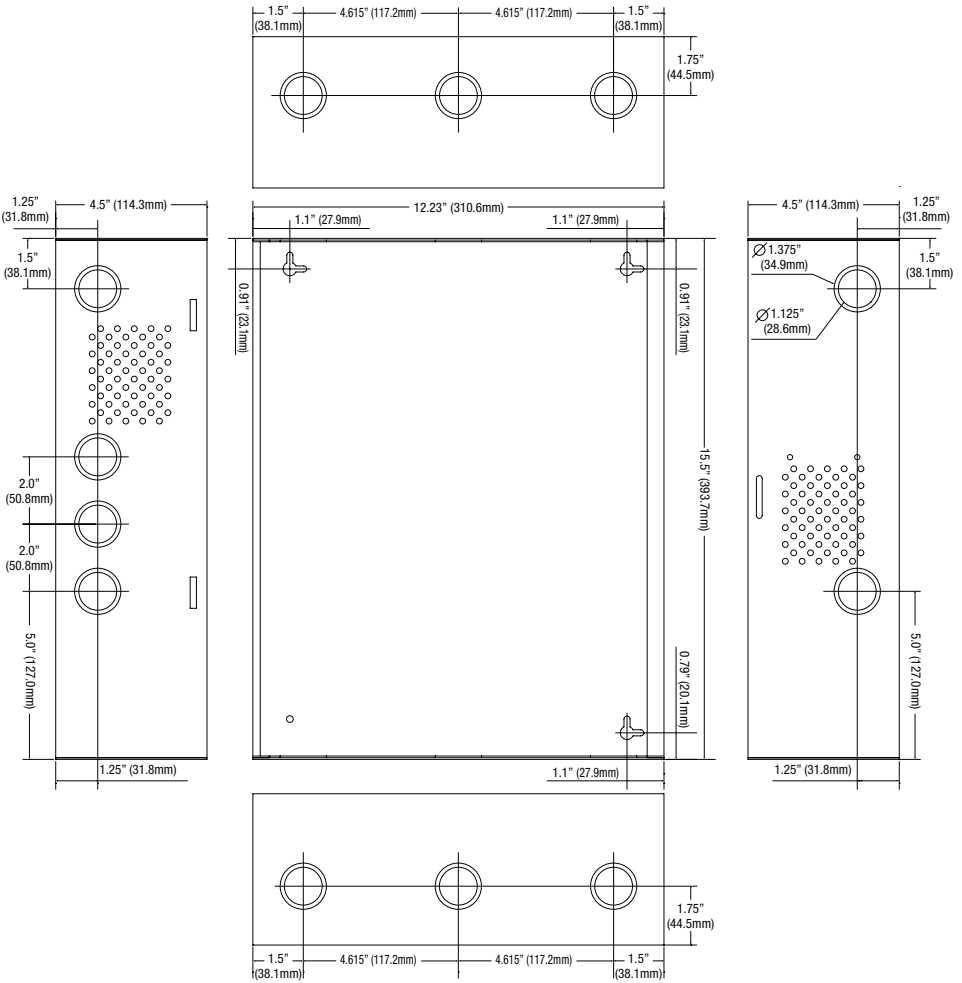
Fig. 15 - Normally Open trigger input (Latching).



Notes:

Enclosure Dimensions (BC400):

15.5" x 12.25" x 4.5" (394mm x 311mm x 114mm)



Altronix is not responsible for any typographical errors.

140 58th Street, Brooklyn, New York 11220 USA | phone: 718-567-8181 | fax: 718-567-9056
 website: www.altronix.com | e-mail: info@altronix.com | Lifetime Warranty
 IITango8A(CB) I21U

