



Access & Power Integration

Altronix/Brivo Kits

Models Include:

T1BV3F4SD

4 Door Kit with PTC Outputs

Fully assembled kit includes:

- Trove1 enclosure with TBV1 Altronix/Brivo backplane
- One (1) eFlow6NB - Power Supply/Charger
- One (1) ACM4CB - PTC Access Power Controller
- One (1) VR6 - Voltage Regulator

T2BV7F8SD

8 Door Kit with PTC Outputs

Fully assembled kit includes:

- Trove2 enclosure with TBV2 Altronix/Brivo backplane
- One (1) eFlow104NB - Power Supply/Charger
- One (1) ACMS8CB - Dual Input PTC Access Power Controller
- One (1) PDS8CB - Dual Input PTC Power Distribution Module
- One (1) VR6 - Voltage Regulator

T2BV77F8SD

8 Door Kit with PTC Outputs

Fully assembled kit includes:

- Trove2 enclosure with TBV2 Altronix/Brivo backplane
- Two (2) eFlow104NB - Power Supply/Chargers
- One (1) ACMS8CB - Dual Input PTC Access Power Controller
- One (1) PDS8CB - Dual Input PTC Power Distribution Module
- Two (2) VR6 - Voltage Regulators

T3BV77F16SD

16 Door Kit with PTC Outputs

Fully assembled kit includes:

- Trove3 enclosure with TBV3 Altronix/Brivo backplane
- Two (2) eFlow104NB - Power Supply/Chargers
- Two (2) ACMS8CB - Dual Input PTC Access Power Controllers
- Two (2) PDS8CB - Dual Input PTC Power Distribution Modules
- Two (2) VR6 - Voltage Regulators
- One (1) RSB2 - Rocker Switch Bracket with
Two (2) Rocker Switches (Not evaluated by UL)

All components of these Trove kits are UL Listed sub-assemblies.

Please refer to the included corresponding Sub-Assembly Installation Guides for further information.

Installation Guide



All registered trademarks are property of their respective owners.

Rev. TBVFDK_081023

Installing Company: _____ Service Rep. Name: _____

Address: _____ Phone #: _____

Overview:

Altronix/Brivo Trove kits are pre-assembled and consist of Trove enclosures/backplanes with factory installed Altronix power supply/chargers and sub-assemblies. These kits also accommodate various combinations of Brivo boards for up to sixteen (16) doors in a single enclosure.

Configuration Chart:

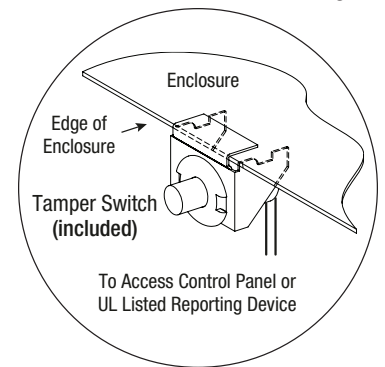
Altronix Model Number	Input	Power Supply Board Input Fuse Rating	Power Supply Board Battery Fuse Rating	Maximum Supply Current for Main and Aux. Outputs on Power Supply board and ACM4CB/ACMS8CB Access Power Controllers' outputs	Nominal DC Output Voltage		Fail-Safe/Fail-Secure or Dry Form "C" Outputs	Additional PTC Protected Outputs	ACM4CB Board Input Fuse Rating	ACM4CB Board Output PTC Rating	ACMS8CB Board Output PTC Rating	ACMS8CB Board Input PTC Rating	PDS8CB Board Input PTC Rating	PDS8CB Board Output PTC Rating
					Power Supply									
					[DC]	[Aux]								
					Output Range (VDC)	Output Range (VDC)								
T1BV3F4SD	120VAC 60Hz, 4.5A	5A/250V	15A/32V	24VDC @ 5.9A	20.17-26.4	20.28-26.4	4	–	10A/32V	2.5A	–	–	–	–
T2BV7F8SD	120VAC 60Hz, 4.5A	6.3A/250V	15A/32V	24VDC @ 9.4A	20.17-26.4	20.28-26.4	8	8	–	–	9A	2.5A	9A	2.5A
T2BV77F8SD	120VAC 60Hz, 7.0A	6.3A/250V	15A/32V	24VDC @ 9.4A + 24VDC @ 9.4A	20.17-26.4	20.28-26.4	8	8	–	–	9A	2.5A	9A	2.5A
T3BV77F16SD	120VAC 60Hz, 7.0A	6.3A/250V	15A/32V	24VDC @ 9.4A + 24VDC @ 9.4A	20.17-26.4	20.28-26.4	16	16	–	–	9A	2.5A	9A	2.5A
					9.7-13.2	10.03-13.2								

Installation Instructions:

Wiring methods shall be in accordance with the National Electrical Code/NFPA 70/ANSI, and with all local codes and authorities having jurisdiction. Product is intended for indoor use only.

- Remove backplane from enclosure. Do not discard hardware.
If your application requires a raised backplane, re-mount it using metal spacers and screws (provided).
- Mark and predrill holes in the wall to line up with the top three keyholes in the enclosure. Install two/three upper fasteners and screws in the wall with the screw heads protruding. Place the enclosure's upper keyholes over the two/three upper screws; level and secure. Mark the position of the lower two/three holes. Remove the enclosure. Drill the lower holes and install the fasteners. Place the enclosure's upper keyholes over the upper screws. Install the lower screws and make sure to tighten all screws.
- Mount included UL Listed tamper switch(es) (Altronix Model TS112 or equivalent) in desired location, opposite hinge. Slide the tamper switch bracket onto the edge of the enclosure approximately 2" from the right side (*Fig. 1, pg. 2*). Connect tamper switch wiring to the Access Control Panel input or the appropriate UL Listed reporting device. To activate alarm signal open the door of the enclosure.
- Mount Brivo boards to backplane, *refer to pages 3-6*.
- Refer to the *eFlow Power Supply/Charger Installation Guide* for eFlow6NB and eFlow104NB and corresponding *Sub-Assembly Installation Guide* (ACM4CB, ACMS8CB, PDS8CB, VR6) for further installation instructions.

Fig. 1



T1BV3F4SD: Configuration of Brivo Controls Boards:

1. Align the Brivo board on the backplane to match the boards' mounting holes with corresponding pems.
2. Fasten 4/40 - 5/8" Metal Spacers (provided) to pems that match the hole pattern for Brivo board (Fig. 2, 2a, pg. 3).

Note: Brivo board must be properly grounded.

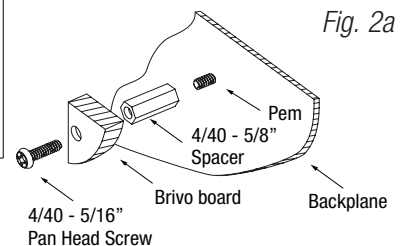
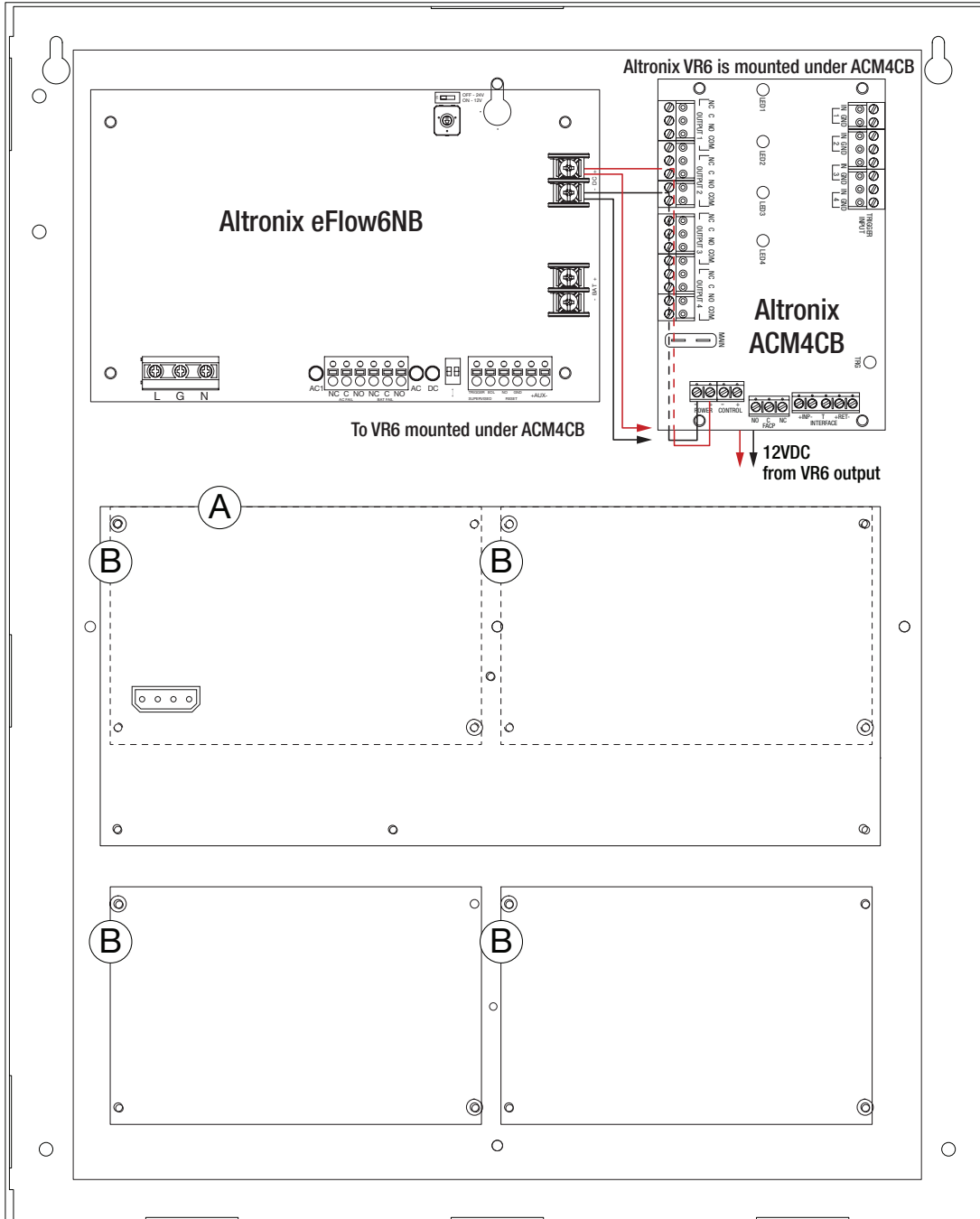
Please use provided metal spacers for the lower right mounting holes (Fig. 2, pg. 3).

3. Mount Brivo board to spacers utilizing provided 4/40 - 5/16" Pan Head Screws (Fig. 2a, pg. 3).
4. Fasten backplane to Trove1 enclosure utilizing lock nuts (provided).

Access Controller Position Chart for the Following Models:

Brivo Access Controller	Pem Mounting
ACS6000-MBE	(A)
ACS6100-DB, ACS6100-IO	(B)

Fig. 2 - T1BV3F4SD Configurations



T2BV7F8SD: Configuration of Brivo Controls Boards:

1. Align the Brivo board on the backplane to match the boards' mounting holes with corresponding pems.
2. Fasten 4/40 - 5/8" Metal Spacers (provided) to pems that match the hole pattern for Brivo board (Fig. 3, 3a, pg. 4).

Note: Brivo board must be properly grounded.

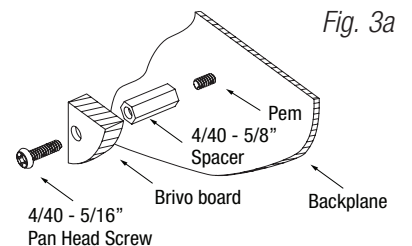
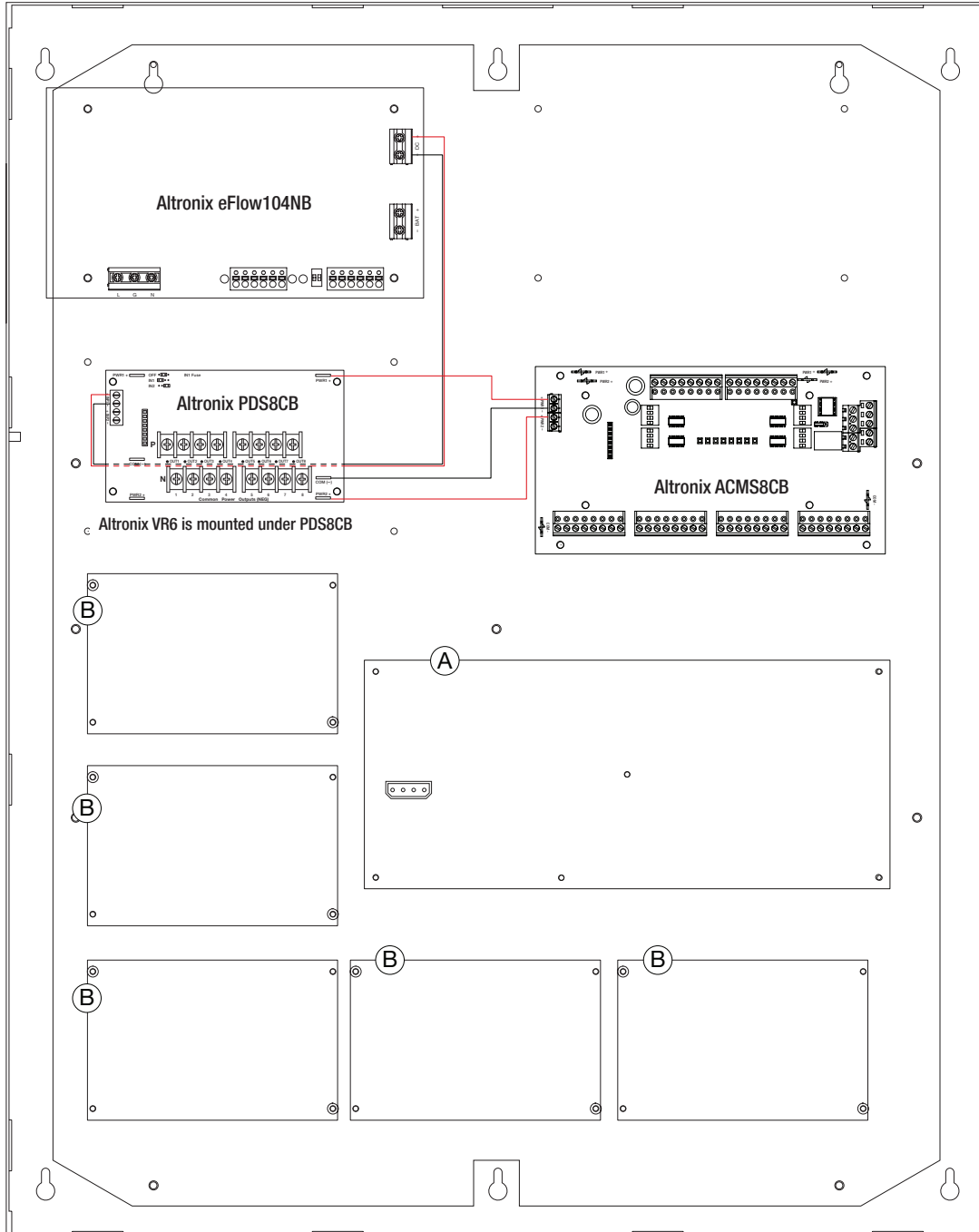
Please use provided metal spacers for the lower right mounting holes (Fig. 3, pg. 4).

3. Mount Brivo board to spacers utilizing provided 4/40 - 5/16" Pan Head Screws (Fig. 3a, pg. 4).
4. Fasten backplane to Trove2 enclosure utilizing lock nuts (provided).

Access Controller Position Chart for the Following Models:

Brivo Access Controller	Pem Mounting
ACS6000-MBE	(A)
ACS6100-DB, ACS6100-IO	(B)

Fig. 3 - T2BV7F8SD Configurations



T2BV77F8SD: Configuration of Brivo Controls Boards:

1. Align the Brivo board on the backplane to match the boards' mounting holes with corresponding pems.
2. Fasten 4/40 - 5/8" Metal Spacers (provided) to pems that match the hole pattern for Brivo board (Fig. 4, 4a, pg. 5).

Note: Brivo board must be properly grounded.

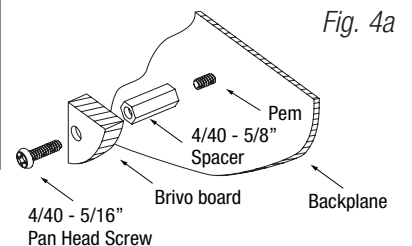
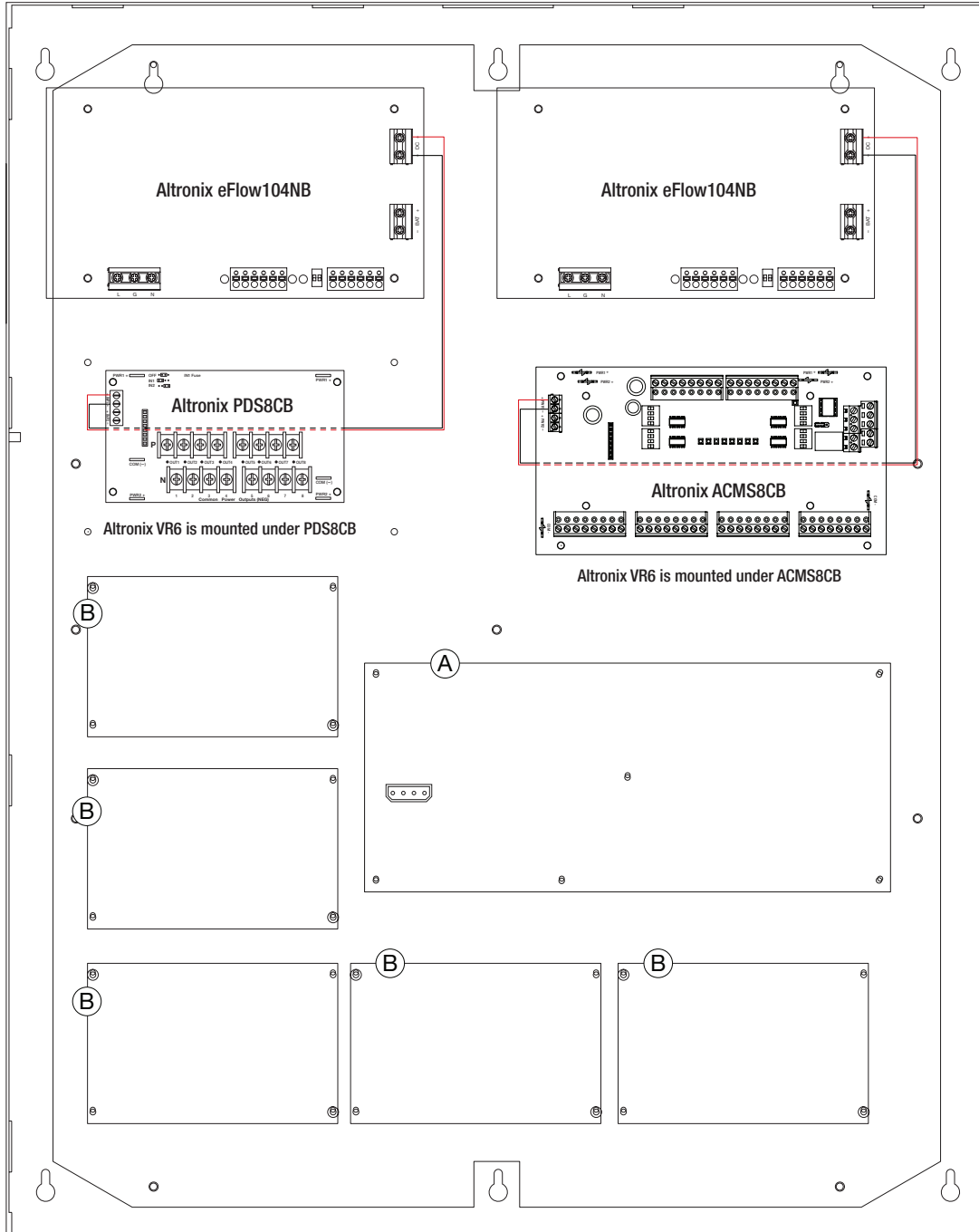
Please use provided metal spacers for the lower right mounting holes (Fig. 4, pg. 5).

3. Mount Brivo board to spacers utilizing provided 4/40 - 5/16" Pan Head Screws (Fig. 4a, pg. 5).
4. Fasten backplane to Trove2 enclosure utilizing lock nuts (provided).

Access Controller Position Chart for the Following Models:

Brivo Access Controller	Pem Mounting
ACS6000-MBE	(A)
ACS6100-DB, ACS6100-I0	(B)

Fig. 4 - T2BV77F8SD Configurations



T3BV77F16SD: Configuration of Brivo Controls Boards:

1. Align the Brivo board on the backplane to match the boards' mounting holes with corresponding pems.
2. Fasten 4/40 - 5/8" Metal Spacers (provided) to pems that match the hole pattern for Brivo board (Fig. 5, 5a, pg. 6).

Note: Brivo board must be properly grounded.

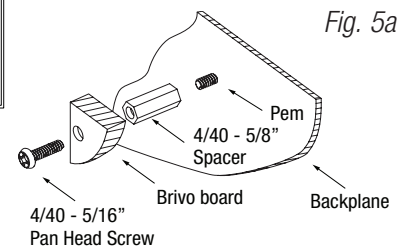
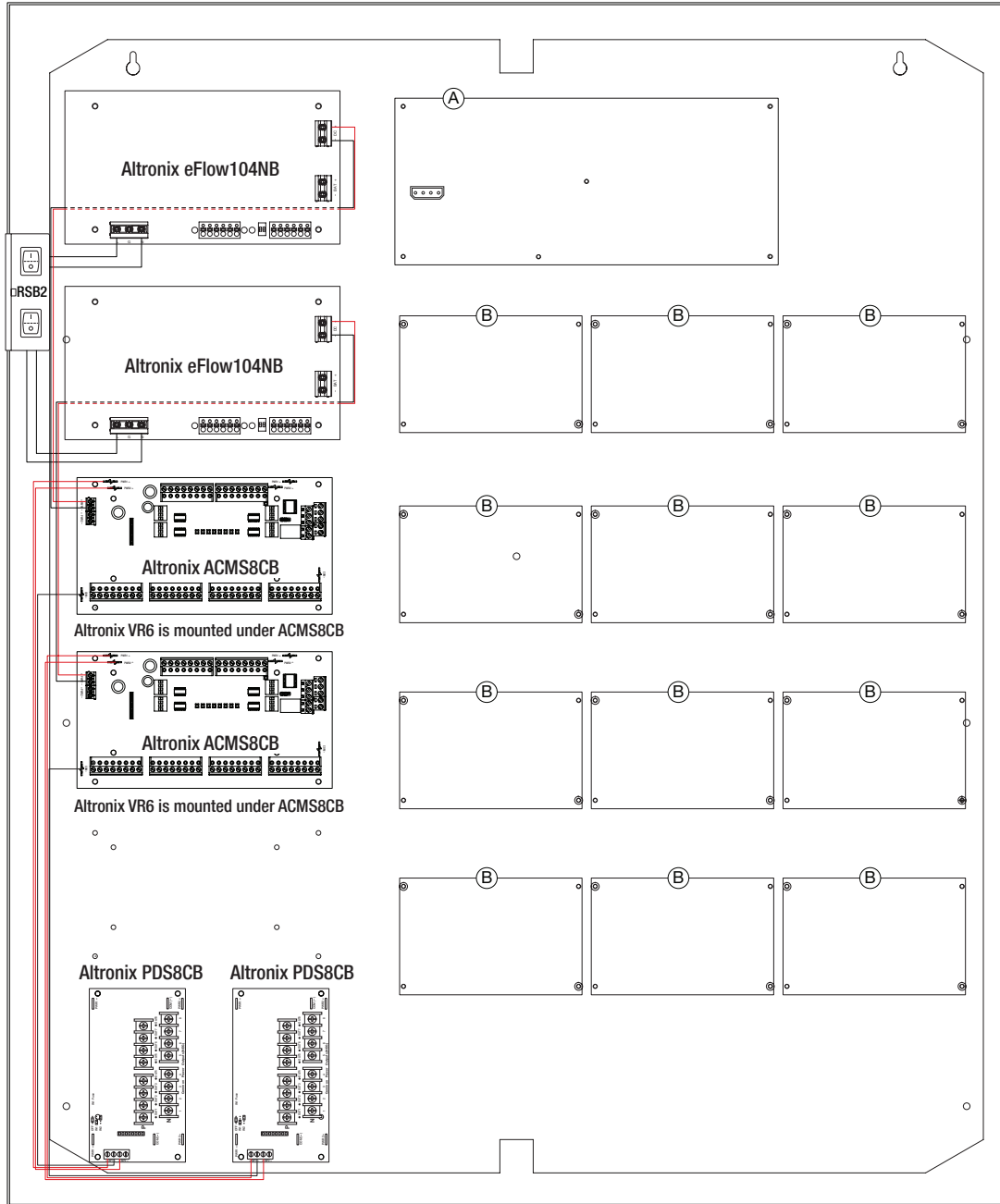
Please use provided metal spacers for the lower right mounting holes (Fig. 5, pg. 6).

3. Mount Brivo board to spacers utilizing provided 4/40 - 5/16" Pan Head Screws (Fig. 5a, pg. 6).
4. Fasten backplane to Trove3 enclosure utilizing lock nuts (provided).

Access Controller Position Chart for the Following Models:

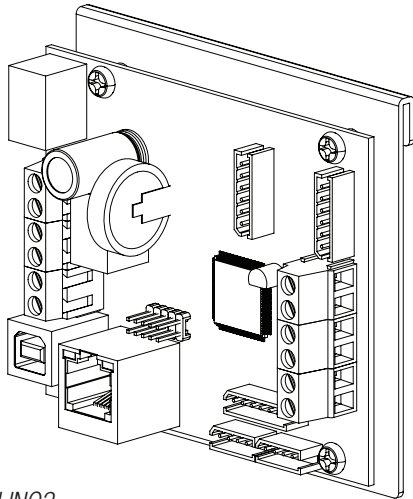
Brivo Access Controller	Pem Mounting
ACS6000-MBE	(A)
ACS6100-DB, ACS6100-IO	(B)

Fig. 5 - T3BV77F16SD Configurations





eFlow Power Supply/Chargers can be Controlled and Monitored while Reporting Power/Diagnostics from Anywhere over the Network...



LINQ™

LINQ2 - Network Communication Module

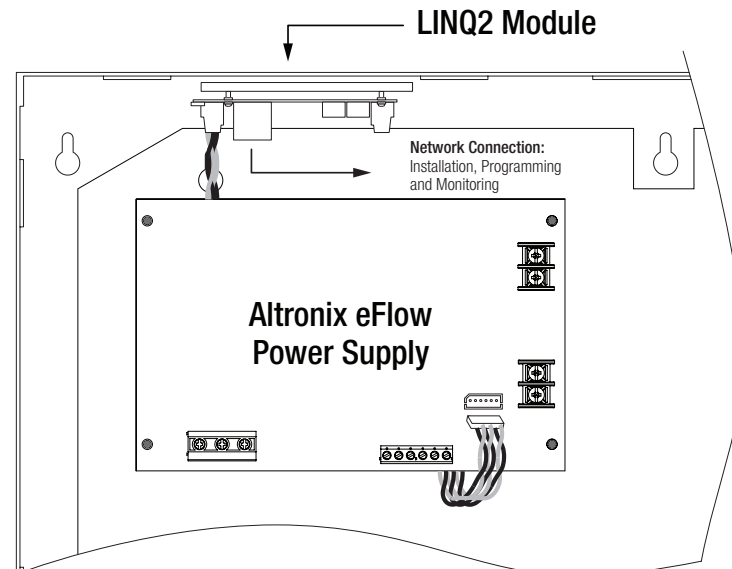
LINQ2 provides remote IP access to real-time data from eFlow power supply/chargers to help keep systems up and running at optimal levels. It facilitates fast and easy installation and set-up, minimizes system downtime, and eliminates unnecessary service calls, which helps reduce Total Cost of Ownership (TCO) - as well as creating a new source of Recurring Monthly Revenue (RMR).

LINQ2

Features:

- UL Listed in the U.S. and Canada.
- Local or remote control of up to (2) two Altronix eFlow power output(s) via LAN and/or WAN.
- Monitor real time diagnostics: DC output voltage, output current, AC & battery status/service, input trigger state change, output state change and unit temperature.
- Access control and user management: Restrict read/write, Restrict users to specific resources
- Two (2) integral network controlled Form "C" Relays.
- Three (3) programmable input triggers: Control relays and power supplies via external hardware sources.
- Email and Windows Dashboard notifications
- Event log tracks history.
- Secure Socket Layer (SSL).
- Programmable via USB or web browser - includes operating software and 6 ft. USB cable.

LINQ2 Mounts Inside any Trove Enclosure

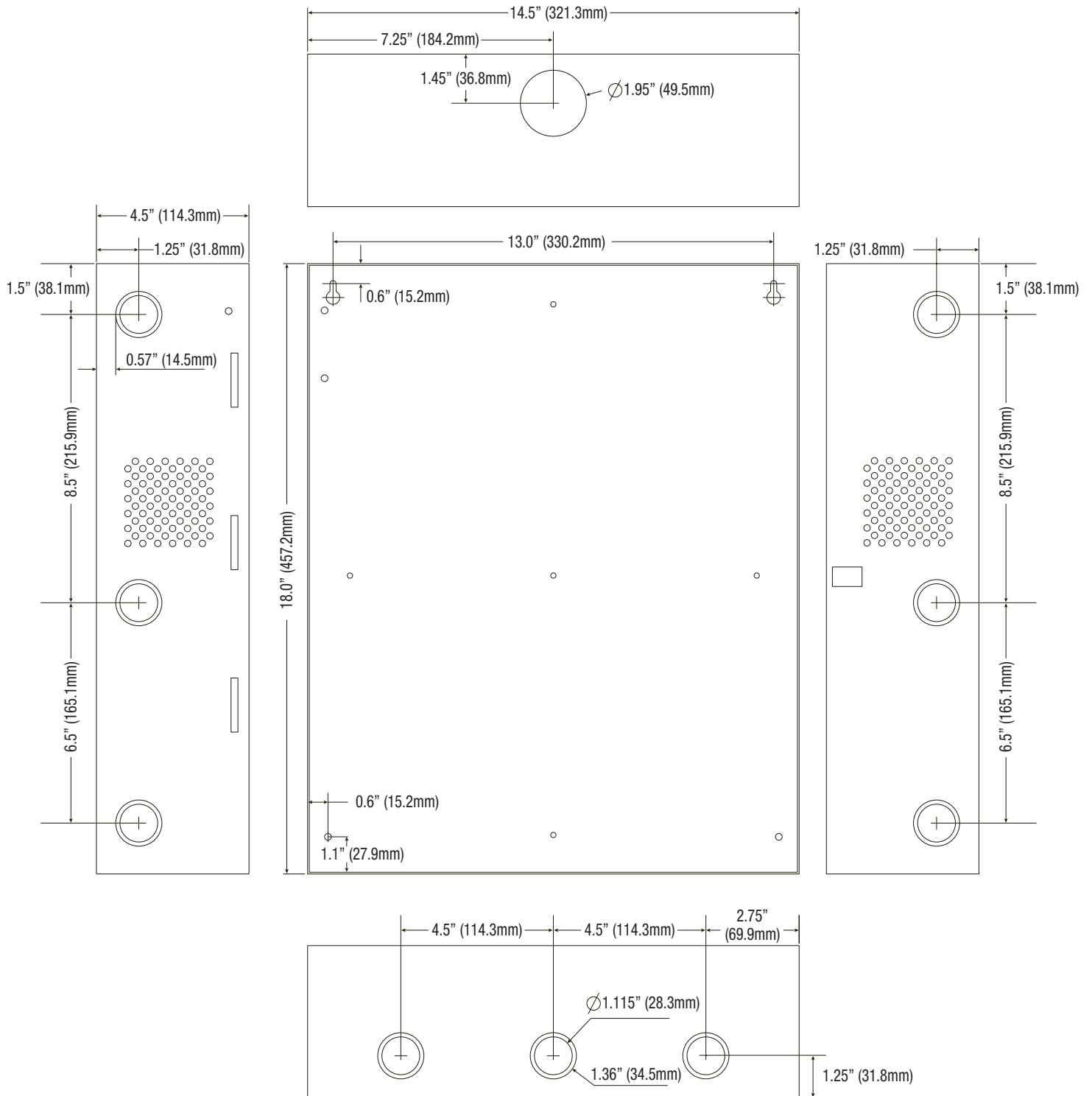


Notes:

Notes:

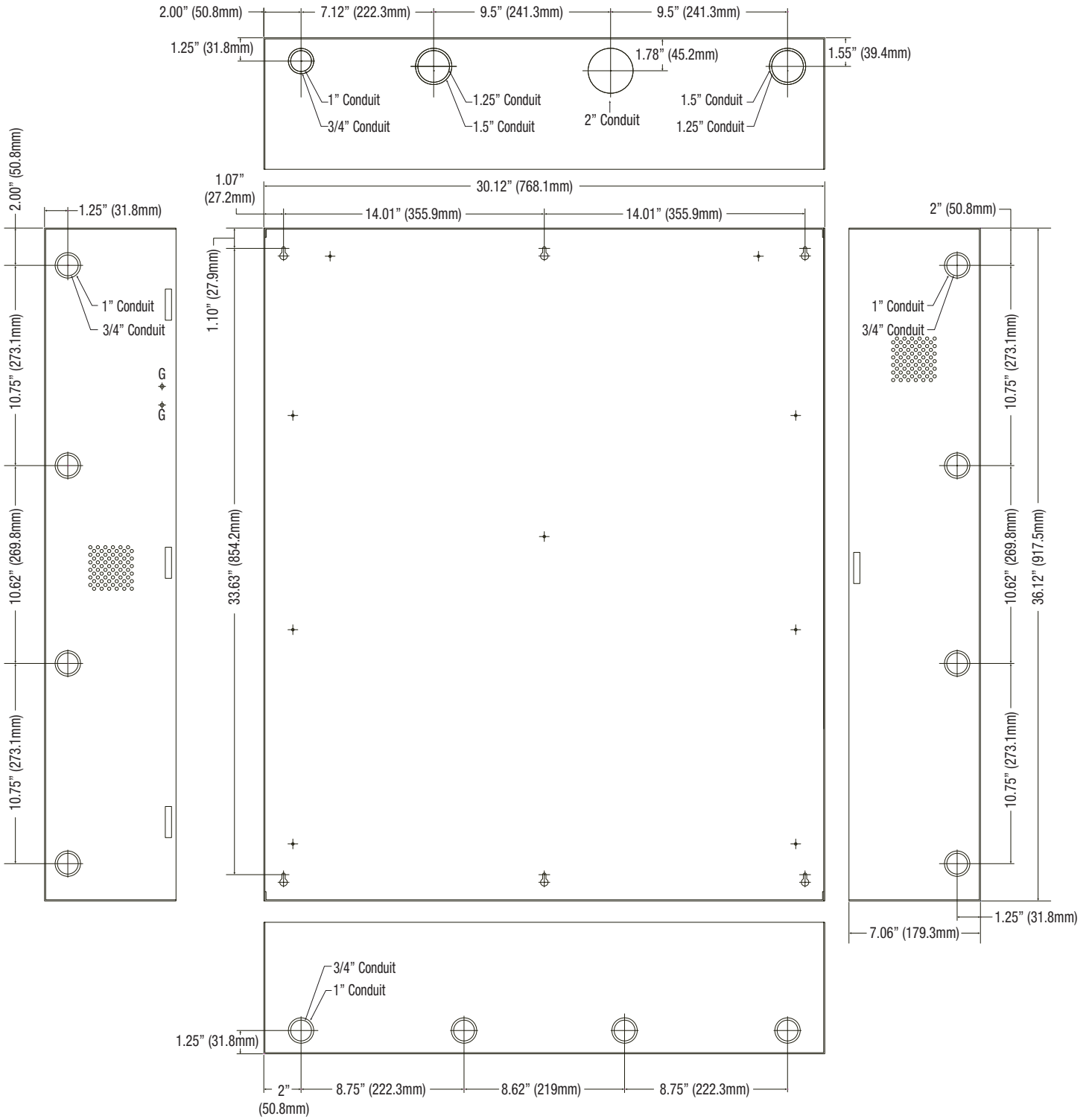
T1BV3F4SD (Trove1) Enclosure Dimensions (H x W x D approximate):

18" x 14.5" x 4.625" (457mm x 368mm x 118mm)



T3BV77F16SD (Trove3) Enclosure Dimensions (H x W x D approximate):

36.12" x 30.125" x 7.06" (917.5mm x 768.1mm x 179.3mm)



Brivo Inc. is not responsible for any typographical errors.

7700 Old Georgetown Rd #300 | Bethesda, MD 20814 USA
 phone: +1 866.692.7486 | email: customer@brivo.com | www.brivo.com
 ITrove Brivo PTC Kits

H10W